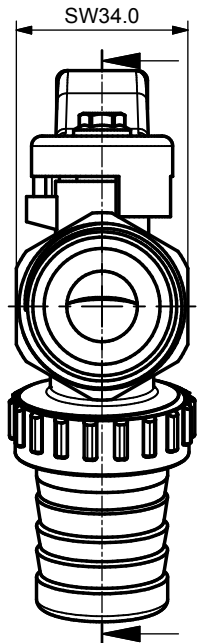
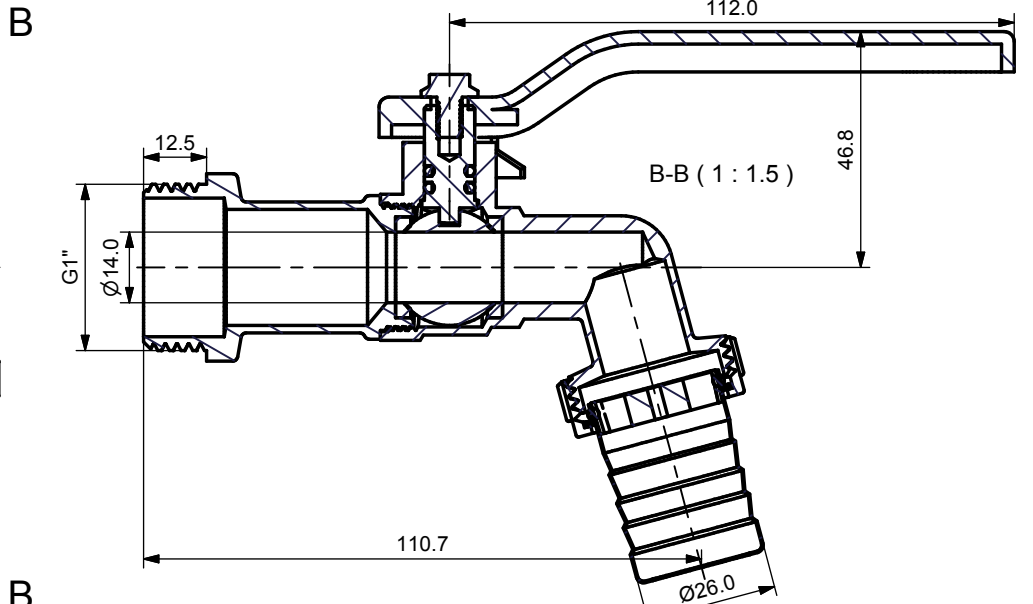


-20°C bis 120°C PN20



BOM						
NO.	P/N	Name	Pcs	Weight	Material	Note
1	89 007 36 Body	G1" Body	1	122.7 g	CW617N	
2	20x14x3 MFZ	20x14x3 seat	2	0.9 g	PTFE	
3	89 007 36 Stem	89 007 36 Stem	1	11.2 g	CW617N	
4	1002 Oring	10x2 Oring	2	0.1 g	EPDM	
5	23x14x4Ball	23x14x4Ball	1	25.5 g	CW617N	
6	89 007 36 Bonnet	G1" Bonnet	1	92.6 g	CW617N	
7	89 007 36 Handle	89 007 36 Handle	1	91.7 g	CW617N	
8	M5x8 screw	M5x 8 screw	1	3.3 g	Q235	
9	89 007 36 CHECHIA	G1" CHECHIA	1	19.4 g	CW617N	
10	89 007 36 Pipe	1" Pipe	1	8.8 g	CW617N	
11	28x2.3 Oring	28x2.3 Oring	1	0.3 g	EPDM	
12	25mm Divertor	25mm Divertor	1	1.2 g	PC	



DRAW.:  
 CHK.:  
 APVD.:

Material: CW617N  
 Date: Design State: Finish:  
 Engineering Spec.: Scale:

NOTICE: These drawing and specifications are the property of HongJia Vale and may not be reproduced, copied or used without written permission.

0-6 = ±0.1  
 6-30 = ±0.2  
 30-120 = ±0.3  
 120-400 = ±0.5

IPG GmbH

Description: Auslauf-Kugelhahn 1"

Part No: 89 007 36

Sheet 1 / 1