

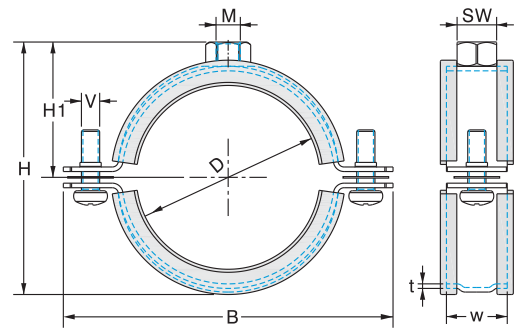
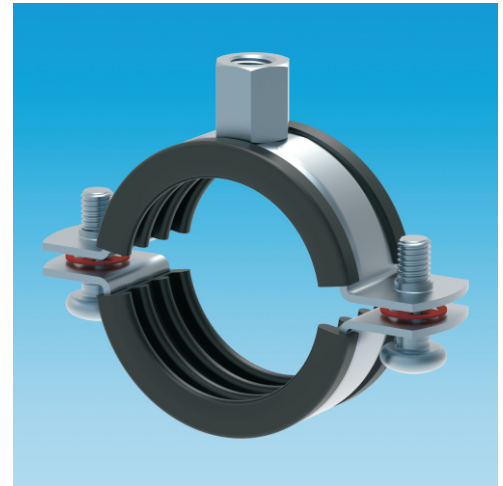
## Two Screws Pipe Clamp W/ Lining, Classic Type

### Advantages / Benefits

- Suitable for fixing of drinking and heating water pipe lines.
- **Tried and trusted clamp in a two piece design.**
- The two lock bolts allow adjustment to accommodate varying pipe diameters.
- Lock screw with captive plastic washer to prevent loss.
- Combination nut for cost-effective and flexibility at the construction site.
- Solid design with reinforcement band rib.
- Strong sound insulation insert for firm fit.

### Technical Data

- Material: Steel 1.0332 acc. to DIN EN 10111
- Zinc plating: Electro zinc plated, 8–12 µm
- Sound absorption lining: EPDM; chlorine-free; silicone-free
- Noise reduction: According to DIN 4109
- Temperature resistance: -50°C to +110°C
- EPDM hardness: 45° +/- 5° Shore-A
- Fire behaviour: Class B2 according to DIN 4102



Article Number	Clamping Range D		Connecting Thread	Dimensions in mm						Pack Size (pcs)	Max. Rec. Load (N)
	mm	inch		w x t	B	H	H1	SW	V		
89 023 85	12-14	1/4	M8/M10	20x1,2	54	33	20	13	M6x16	150	1300
89 023 86	15-19	3/8	M8/M10	20x1,2	59	37	22	13	M6x16	150	1300
89 023 87	20-23	1/2	M8/M10	20x1,2	63	41	24	13	M6x16	100	1300
89 023 88	25-28	3/4	M8/M10	20x1,2	69	46	27	13	M6x16	100	1300
89 023 89	32-35	1	M8/M10	20x1,2	76	53	30	13	M6x16	100	1300
89 023 90	40-43	1 1/4	M8/M10	20x1,2	84	62	35	13	M6x20	50	1300
89 023 91	44-49	1 1/2	M8/M10	20x1,5	90	68	38	13	M6x20	50	1500
89 023 92	57-61	2	M8/M10	20x1,5	108	92	54	13	M6x20	50	1500
89 023 93	63-67	-	M8/M10	20x1,5	114	98	57	13	M6x20	50	1500
89 023 94	74-80	2 1/2	M8/M10	20x1,5	127	111	64	13	M6x20	50	1500
89 023 95	83-91	3	M8/M10	20x1,5	138	122	69	13	M6x20	50	1500
89 023 96	108-114	4	M8/M10	25x2,0	168	148	82	13	M8x25	25	2300