
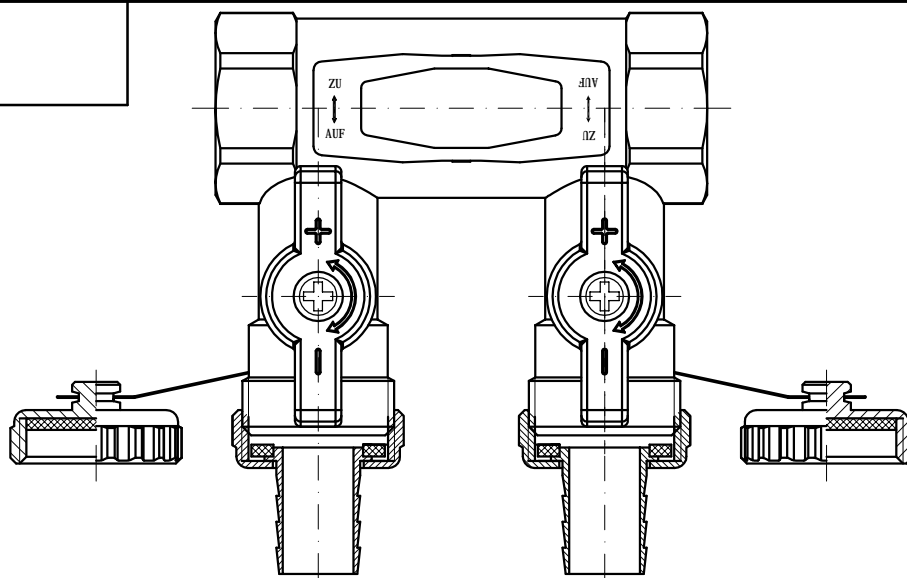


Artikel Nummer	Gewicht(g)	Temperatur Bereich	Druck Gruppe	Zoll Tariffnummer	Bild	Update Datum
89 001 81 / 97 002 13	600	-15°C ~ 80°C	PN20	8481804090		2020.04.27

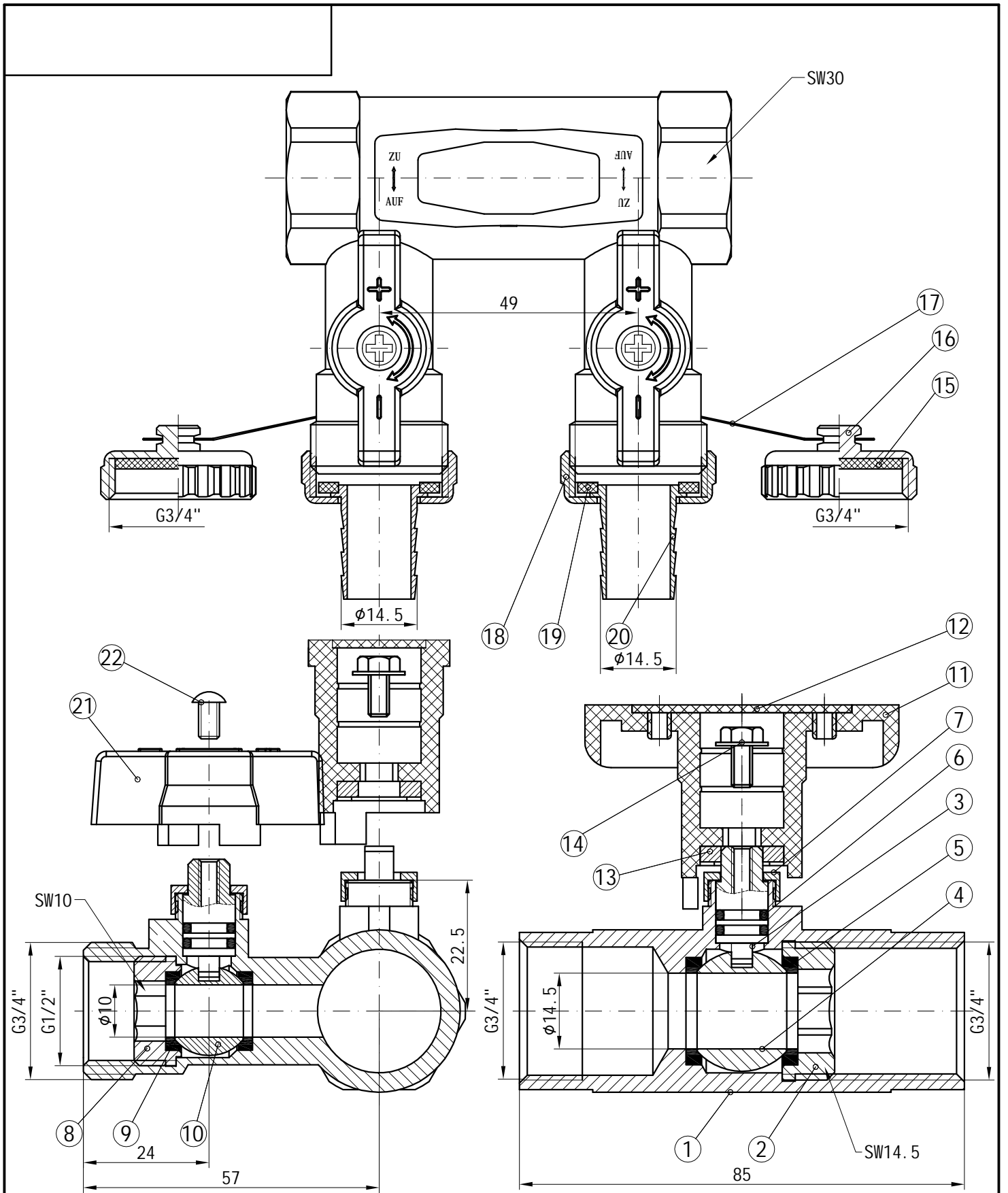


22		Screw	2	Steel		
21		Handle	2	Aluminum		
20		Water outlet	2	Brass		
19		Gasket	2	EPDM		
18		Anchor cap	2	Brass		
17		Plastic rope	2	Plastic		
16		Seal closure	2	Brass		
15		Gasket	2	EPDM		
14		Screw	1	Steel		
13		Iron insert	1	Steel		
12		Flange	1	Plastic		
11		Handle	1	Plastic		
10		Ball	2	Brass		
9		PTFE seat	4	PTFE		
8		Locking nut	2	Brass		
7		Packing nut	3	Brass		
6		O-ring	6	EPDM		
5		PTFE seat	2	PTFE		
4		Ball	1	Brass		
3		Stem	3	Brass		
2		Bonnet	1	Brass		
1		Body	1	Brass		



GmbH

8900181



GmbH

8900181