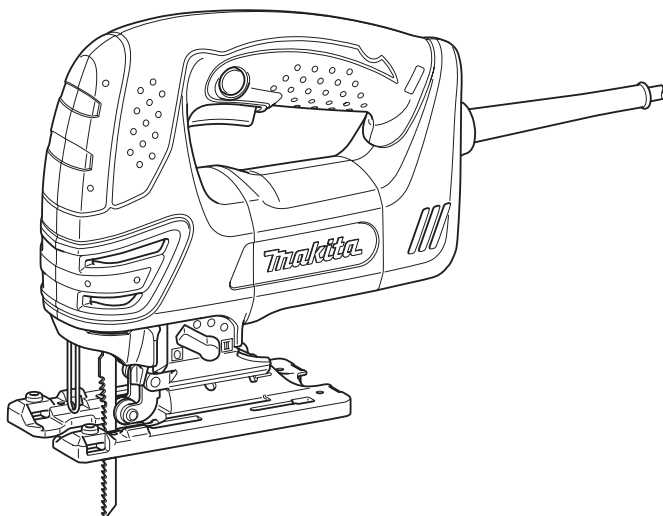
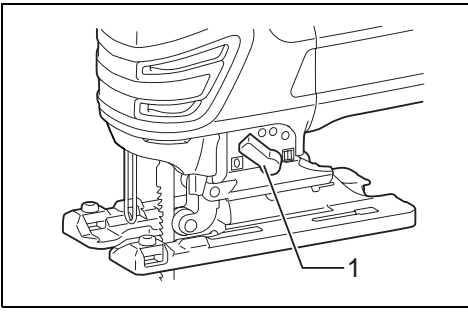




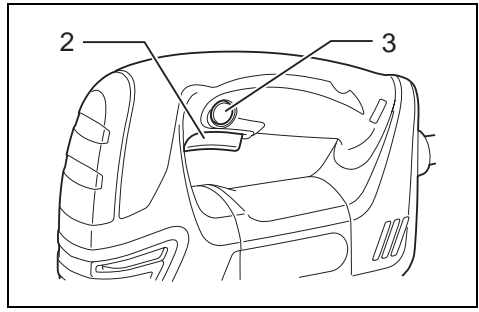
GB	Jig Saw	Instruction Manual
F	Scie sauteuse	Manuel d'instructions
D	Stichsäge	Betriebsanleitung
I	Seghetto alternativo	Istruzioni per l'uso
NL	Decoupeerzaag	Gebruiksaanwijzing
E	Sierra caladora	Manual de instrucciones
P	Serra tico-tico	Manual de instruções
DK	Dekupørsav	Brugsanvisning
GR	Παλινδρομικό Πριόνι	Οδηγίες χρήσεως

4350T
4350CT
4350FCT

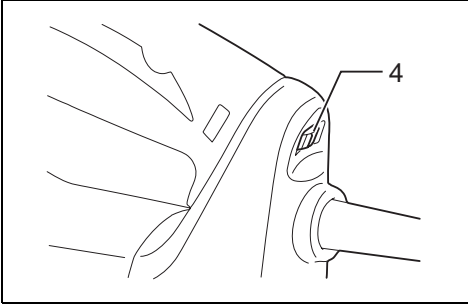




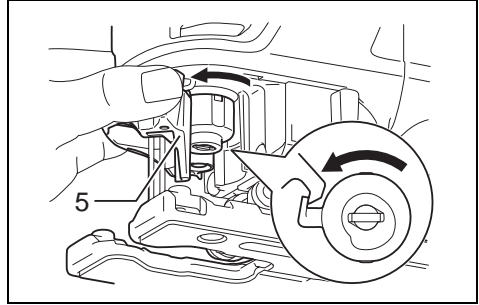
1



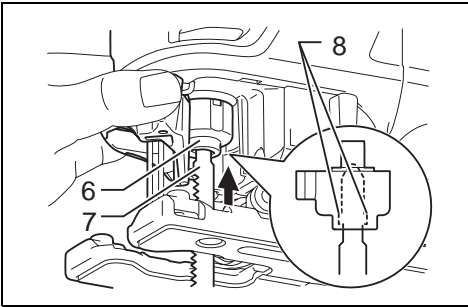
2



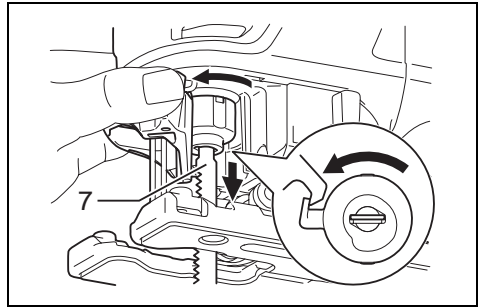
3



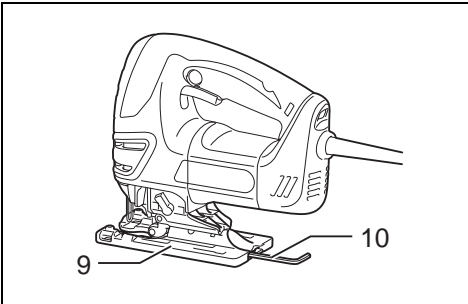
4



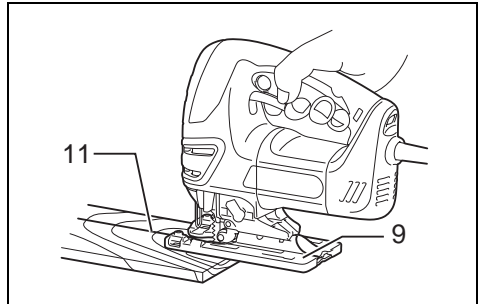
5



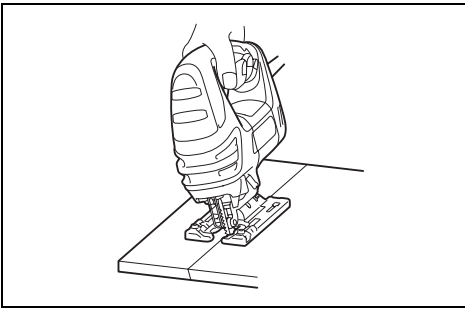
6



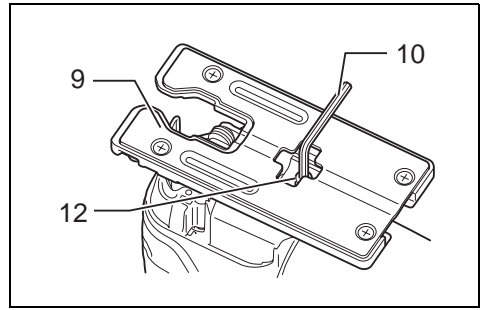
7



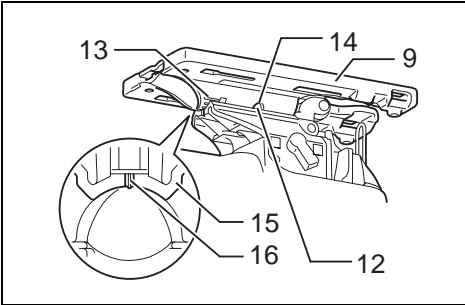
8



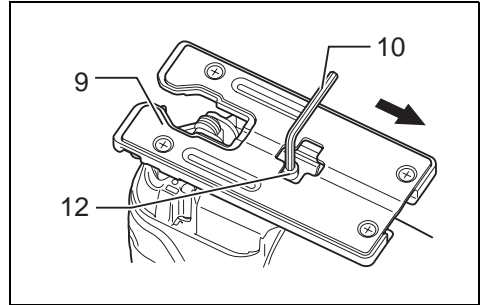
9



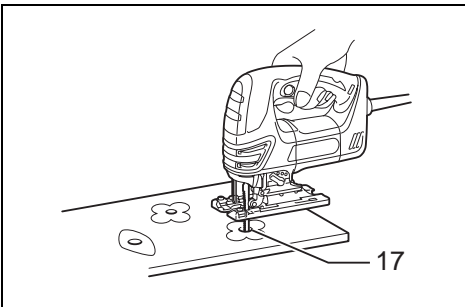
10



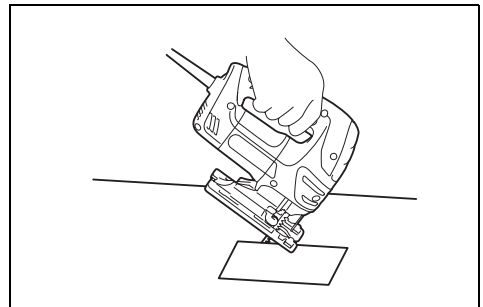
11



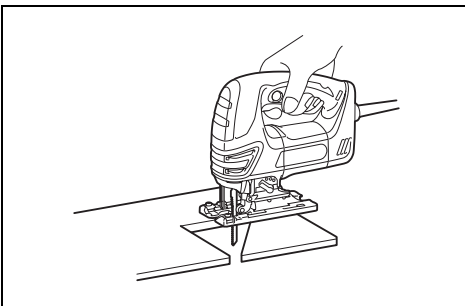
12



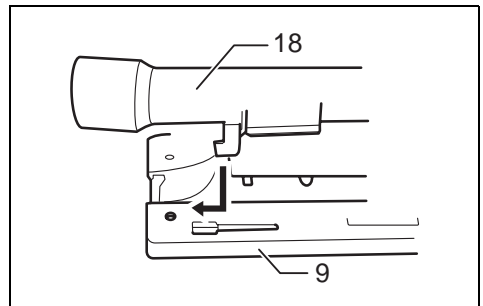
13



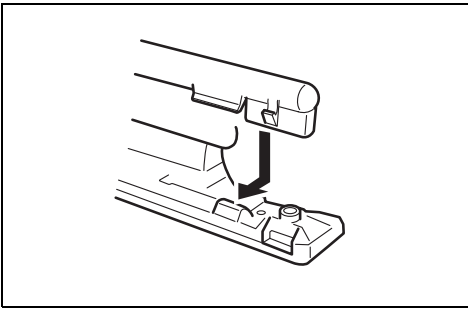
14



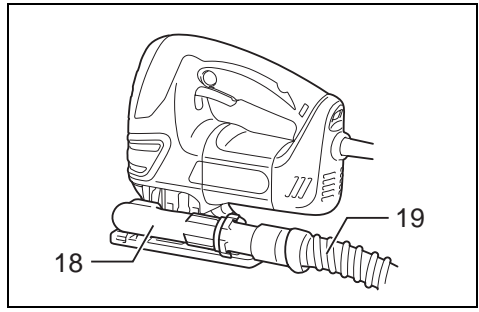
15



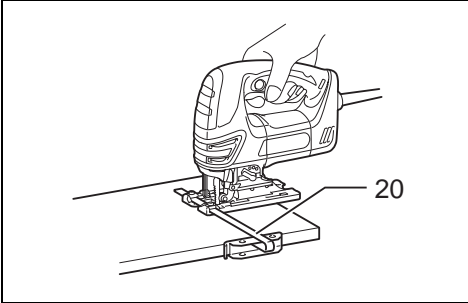
16



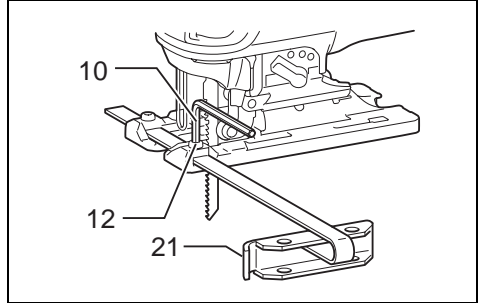
17



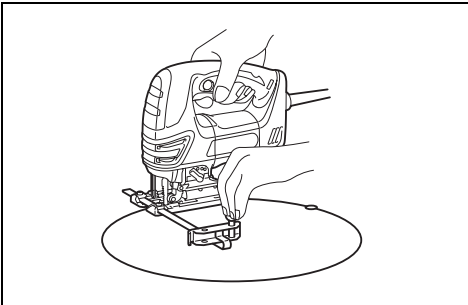
18



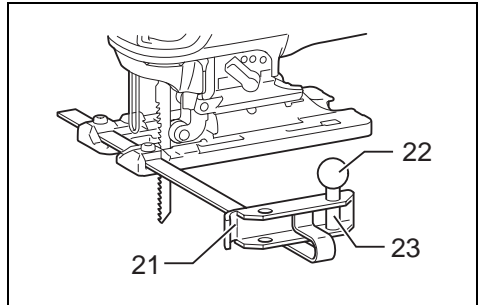
19



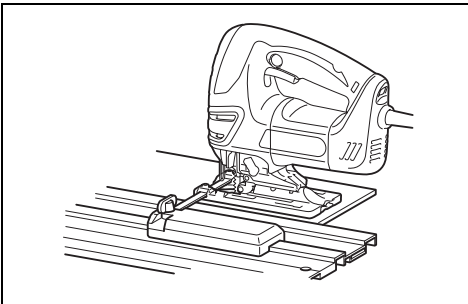
20



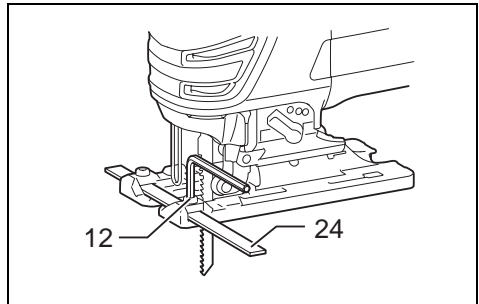
21



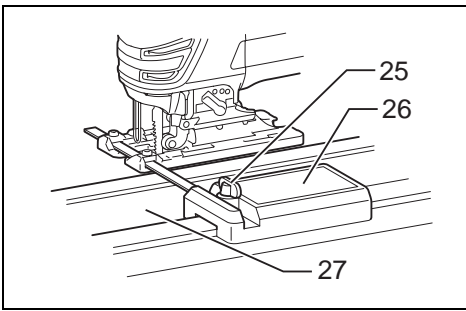
22



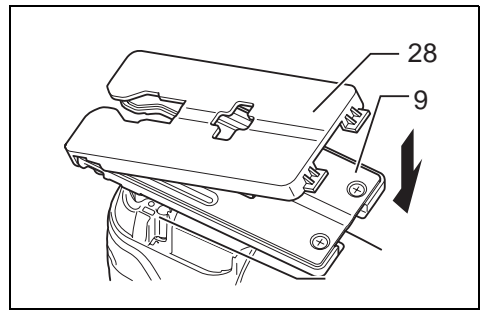
23



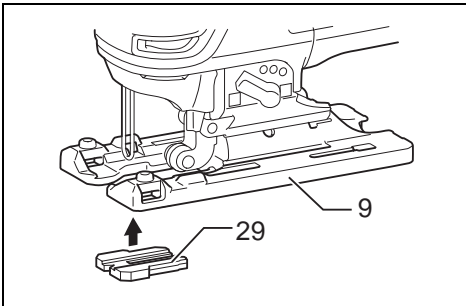
24



25



26



27

ENGLISH

Explanation of general view

1 Cutting action changing lever	11 Cutting line	21 Fence guide
2 Switch trigger	12 Bolt	22 Threaded knob
3 Lock button	13 Graduation	23 Circular guide pin
4 Speed adjusting dial	14 Bevel slot	24 Rule bar
5 Tool opener	15 Gear housing	25 Screw
6 Blade clamp	16 V-notch	26 Guide rail adapter
7 Jig saw blade	17 Starting hole	27 Guide rail
8 Protrusions	18 Dust nozzle	28 Cover plate
9 Base	19 Hose for vacuum cleaner	29 Anti-splintering device
10 Hex wrench	20 Rip fence	

SPECIFICATIONS

Model	4350T	4350CT	4350FTC
Length of stroke.....	26 mm	26 mm	26 mm
Max. cutting capacities			
Wood	135 mm	135 mm	135 mm
Steel	10 mm	10 mm	10 mm
Aluminum	20 mm	20 mm	20 mm
Strokes per minute (min ⁻¹)	2,800	800 – 2,800	800 – 2,800
Overall length	236 mm	236 mm	236 mm
Net weight	2.6 kg	2.6 kg	2.6 kg
Safety class.....	▣/II	▣/II	▣/II

- Due to our continuing programme of research and development, the specifications herein are subject to change without notice.
- Specifications may differ from country to country.
- Weight according to EPTA-Procedure 01/2003

Intended use

The tool is intended for the sawing of wood, plastic and metal materials. As a result of the extensive accessory and saw blade program, the tool can be used for many purposes and is very well suited for curved or circular cuts.

Power supply

The tool should be connected only to a power supply of the same voltage as indicated on the nameplate, and can only be operated on single-phase AC supply. They are double-insulated in accordance with European Standard and can, therefore, also be used from sockets without earth wire.

Safety hints

For your own safety, please refer to the enclosed safety instructions.

SPECIFIC SAFETY RULES

GEB016-2

DO NOT let comfort or familiarity with product (gained from repeated use) replace strict adherence to jig saw safety rules. If you use this tool unsafely or incorrectly, you can suffer serious personal injury.

1. **Hold power tools by insulated gripping surfaces, when performing an operation where the cutting accessory may contact hidden wiring or its own cord.** Cutting accessory contacting a "live" wire may make exposed metal parts of the power tool "live" and could give the operator an electric shock.

2. **Use clamps or another practical way to secure and support the workpiece to a stable platform.** Holding the work by hand or against your body leaves it unstable and may lead to loss of control.
3. **Always use safety glasses or goggles. Ordinary eye or sun glasses are NOT safety glasses.**
4. **Avoid cutting nails. Inspect workpiece for any nails and remove them before operation.**
5. **Do not cut oversize workpiece.**
6. **Check for the proper clearance beyond the workpiece before cutting so that the blade will not strike the floor, workbench, etc.**
7. **Hold the tool firmly.**
8. **Make sure the blade is not contacting the workpiece before the switch is turned on.**
9. **Keep hands away from moving parts.**
10. **Do not leave the tool running. Operate the tool only when hand-held.**
11. **Always switch off and wait for the blade to come to a complete stop before removing the blade from the workpiece.**
12. **Do not touch the blade or the workpiece immediately after operation; they may be extremely hot and could burn your skin.**
13. **Do not operate the tool at no-load unnecessarily.**
14. **Some material contains chemicals which may be toxic. Take caution to prevent dust inhalation and skin contact. Follow material supplier safety data.**
15. **Always use the correct dust mask/respirator for the material and application you are working with.**

SAVE THESE INSTRUCTIONS.

WARNING:
MISUSE or failure to follow the safety rules stated in this instruction manual may cause serious personal injury.

FUNCTIONAL DESCRIPTION

CAUTION:

- Always be sure that the tool is switched off and unplugged before adjusting or checking function on the tool.

Selecting the cutting action (Fig. 1)

This tool can be operated with an orbital or a straight line (up and down) cutting action. The orbital cutting action thrusts the blade forward on the cutting stroke and greatly increases cutting speed.

To change the cutting action, just turn the cutting action changing lever to the desired cutting action position.

Refer to the table to select the appropriate cutting action.

Position	Cutting action	Applications
0	Straight line cutting action	For cutting mild steel, stainless steel and plastics. For clean cuts in wood and plywood.
I	Small orbit cutting action	For cutting mild steel, aluminum and hard wood.
II	Medium orbit cutting action	For cutting wood and plywood. For fast cutting in aluminum and mild steel.
III	Large orbit cutting action	For fast cutting in wood and plywood.

Switch action (Fig. 2)

CAUTION:

- Before plugging in the tool, always check to see that the switch trigger actuates properly and returns to the "OFF" position when released.

To start the tool, simply pull the switch trigger. Release the switch trigger to stop.

For continuous operation, pull the switch trigger and then push in the lock button.

To stop the tool from the locked position, pull the switch trigger fully, then release it.

Speed adjusting dial (Fig. 3)

For 4350CT, 4350FCT

The tool speed can be infinitely adjusted between 800 and 2,800 strokes per minute by turning the adjusting dial. Higher speed is obtained when the dial is turned in the direction of number 5; lower speed is obtained when it is turned in the direction of number 1.

Refer to the table to select the proper speed for the workpiece to be cut. However, the appropriate speed may differ with the type or thickness of the workpiece. In general, higher speeds will allow you to cut workpieces faster but the service life of the blade will be reduced.

Workpiece to be cut	Number on adjusting dial
Wood	4 – 5
Mild steel	3 – 5
Stainless steel	3 – 4
Aluminum	3 – 5
Plastics	1 – 4

CAUTION:

- The speed adjusting dial can be turned only as far as 5 and back to 1. Do not force it past 5 or 1, or the speed adjusting function may no longer work.

The tools equipped with electronic function are easy to operate because of the following features.

Constant speed control

Electronic speed control for obtaining constant speed. Possible to get fine finish, because the rotating speed is kept constant even under load condition.

Soft start feature

Safety and soft start because of suppressed starting shock.

Lighting up the lamps

For 4350FCT only

CAUTION:

- Do not look in the light or see the source of light directly.

To turn on the lamp, pull the trigger. Release the trigger to turn it off.

NOTE:

- Use a dry cloth to wipe the dirt off the lens of lamp. Be careful not to scratch the lens of lamp, or it may lower the illumination.

ASSEMBLY

CAUTION:

- Always be sure that the tool is switched off and unplugged before carrying out any work on the tool.

Installing or removing saw blade (Fig. 4, 5 & 6)

CAUTION:

- Always clean out all chips or foreign matter adhering to the blade and/or blade holder. Failure to do so may cause insufficient tightening of the blade, resulting in a serious personal injury.
- Do not touch the blade or the workpiece immediately after operation; they may be extremely hot and could burn your skin.
- Tighten the saw blade securely. Failure to do so may cause a serious injury.
- When you remove the saw blade, be careful not to hurt your fingers with the top of the blade or the tips of workpiece.

To install the blade, open the tool opener to the position shown in the figure. (Fig. 4)

Keeping that situation, insert the saw blade into the blade clamp as far as the two protrusions of the blade can not be seen. (Fig. 5)

Return the tool opener to its original position.

After installing, always make sure that the blade is securely held in place by trying to pull it out.

CAUTION:

- Do not open the tool opener excessively, or it may cause tool damage.

To remove the blade, open the tool opener to the position shown in the figure. Pull the saw blade out toward the base. (Fig. 6)

NOTE:

- Occasionally lubricate the roller.

Hex wrench storage (Fig. 7)

When not in use, the hex wrench can be conveniently stored.

OPERATION

CAUTION:

- Hold the tool firmly with one hand on the main handle when performing the tool. If necessary, the front part of the tool may be supported by the other hand.
- Always hold the base flush with the workpiece. Failure to do so may cause blade breakage, resulting in a serious injury.

Turn the tool on and wait until the blade attains full speed. Then rest the tool base flat on the workpiece and gently move the tool forward along the previously marked cutting line. When cutting curves, advance the tool very slowly. (Fig. 8)

Bevel cutting

CAUTION:

- Always be sure that the tool is switched off and unplugged before tilting the base.

With the base tilted, you can make bevel cuts at any angle between 0° and 45° (left or right). (Fig. 9)

Loosen the bolt on the back of the base with the hex wrench. Move the base so that the bolt is positioned in the center of the bevel slot in the base. (Fig. 10)

Tilt the base until the desired bevel angle is obtained. The V-notch of the gear housing indicates the bevel angle by graduations. Then tighten the bolt firmly to secure the base. (Fig. 11)

Front flush cuts (Fig. 12)

Loosen the bolt on the back of the base with the hex wrench, and slide the base all the way back. Then tighten the bolt to secure the base.

Cutouts

Cutouts can be made with either of two methods A or B.

A) Boring a starting hole:

For internal cutouts without a lead-in cut from an edge, pre-drill a starting hole 12 mm or more in diameter. Insert the blade into this hole to start your cut. (Fig. 13)

B) Plunge cutting:

You need not bore a starting hole or make a lead-in cut if you carefully do as follows.

1. Tilt the tool up on the front edge of the base with the blade point positioned just above the workpiece surface. (Fig. 14)
2. Apply pressure to the tool so that the front edge of the base will not move when you switch on the tool and gently lower the back end of the tool slowly.
3. As the blade pierces the workpiece, slowly lower the base of the tool down onto the workpiece surface.
4. Complete the cut in the normal manner.

Finishing edges (Fig. 15)

To trim edges or make dimensional adjustments, run the blade lightly along the cut edges.

Metal cutting

Always use a suitable coolant (cutting oil) when cutting metal. Failure to do so will cause significant blade wear. The underside of the workpiece can be greased instead of using a coolant.

Dust extraction

The dust nozzle (accessory) is recommended to perform clean cutting operations.

To attach the dust nozzle on the tool, insert the hook of dust nozzle into the hole in the base. (Fig. 16 & 17)

The dust nozzle can be installed on either left or right side of the base.

Then connect a Makita vacuum cleaner to the dust nozzle. (Fig. 18)

CAUTION:

- If you try to remove the dust nozzle forcibly, the hook of the dust nozzle can be diminished and removed unintentionally during operation.

Rip fence set (optional accessory)

CAUTION:

- Always be sure that the tool is switched off and unplugged before installing or removing accessories.

1) Straight cuts (Fig. 19 & 20)

When repeatedly cutting widths of 160 mm or less, use of the rip fence will assure fast, clean, straight cuts. To install, insert the rip fence into the rectangular hole on the side of the tool base with the fence guide facing down. Slide the rip fence to the desired cutting width position, then tighten the bolt to secure it.

2) Circular cuts (Fig. 21 & 22)

When cutting circles or arcs of 170 mm or less in radius, install the rip fence as follows.

Insert the rip fence into the rectangular hole on the side of the base with the fence guide facing up. Insert the circular guide pin through either of the two holes on the fence guide. Screw the threaded knob onto the pin to secure the pin.

Now slide the rip fence to the desired cutting radius, and tighten the bolt to secure it in place. Then move the base all the way forward.

NOTE:

- Always use blades No. B-17, B-18, B-26 or B-27 when cutting circles or arcs.

Guide rail adapter set (accessory)

When cutting parallel and uniform width or cutting straight, the use of the guide rail and the guide rail adapter will assure the production of fast and clean cuts. (Fig. 23)

To install the guide rail adapter, insert the rule bar into the square hole of the base as far as it goes. Secure the bolt with the hex wrench securely. (Fig. 24)

Install the guide rail adapter on the rail of the guide rail. Insert the rule bar into the square hole of the guide rail adapter. Put the base to the side of the guide rail, and secure the bolt securely. (Fig. 25)

CAUTION:

- Always use blades No. B-8, B-13, B-16, B-17 or 58 when using the guide rail and the guide rail adapter.

Cover plate (Fig. 26)

Use the cover plate when cutting decorative veneers, plastics, etc. It protects sensitive or delicate surfaces from damage. Fit it on the back of the tool base.

Anti-splintering device (Fig. 27)

For splinter-free cuts, the anti-splintering device can be used. To install the anti-splintering device, move the tool base all the way forward and fit it from the back of tool base. When you use the cover plate, install the anti-splintering device onto the cover plate.

CAUTION:

- The anti-splintering device cannot be used when making bevel cuts.

MAINTENANCE

CAUTION:

- Always be sure that the tool is switched off and unplugged before attempting to perform inspection or maintenance.

To maintain product SAFETY and RELIABILITY, repairs, carbon brush inspection and replacement, any other maintenance or adjustment should be performed by Makita Authorized Service Centers, always using Makita replacement parts.

ACCESSORIES

CAUTION:

- These accessories or attachments are recommended for use with your Makita tool specified in this manual. The use of any other accessories or attachments might present a risk of injury to persons. Only use accessory or attachment for its stated purpose.




If you need any assistance for more details regarding these accessories, ask your local Makita Service Center.

- Jig saw blades
- Hex wrench 4
- Rip fence (guide rule) set
- Guide rail adapter set
- Guide rail set
- Anti-splintering device
- Dust nozzle
- Cover plate
- Hose (For vacuum cleaner)

Descriptif

1	Levier de sélection du type de coupe	10	Clé hexagonale	21	Guide de garde
2	Gâchette	11	Trait de coupe	22	Bouton fileté
3	Bouton de blocage	12	Boulon	23	Goupille de guide circulaire
4	Molette de réglage de la vitesse	13	Graduation	24	Règle
5	Ouverture de l'outil	14	Fente angulaire	25	Vis
6	Collier de serrage de la lame	15	Carter d'engrenages	26	Adaptateur pour guide de délignage
7	Lame de scie sauteuse	16	Entaille en V	27	Guide de délignage
8	Saillies	17	Trou d'amorce	28	Plaque de recouvrement
9	Base	18	Raccord d'aspiration	29	Dispositif anti-éclat
		19	Tuyau d'aspirateur		
		20	Guide parallèle		

SPÉCIFICATIONS

Modèle	4350T	4350CT	4350FCT
Longueur de course	26 mm	26 mm	26 mm
Capacité de coupe max.			
Bois	135 mm	135 mm	135 mm
Acier	10 mm	10 mm	10 mm
Aluminium.....	20 mm	20 mm	20 mm
Nombre de courses/mn (min ⁻¹).....	2 800	800 – 2 800	800 – 2 800
Longueur hors tout	236 mm	236 mm	236 mm
Poids net	2,6 kg	2,6 kg	2,6 kg
Niveau de sécurité.....	 //II	 //II	 //II

- Etant donné l'évolution constante de notre programme de recherche et de développement, les spécifications contenues dans ce manuel sont sujettes à modification sans préavis.
- Les spécifications peuvent varier suivant les pays.
- Poids selon la procédure EPTA 01/2003

Utilisations

L'outil est conçu pour la coupe des matériaux de bois, de plastique et de métal. L'étendue de la gamme d'accessoires et de lames disponibles permet d'utiliser l'outil à des fins multiples et le rend tout particulièrement adéquat aux coupes curvilignes et circulaires.

Alimentation

L'outil ne devra être raccordé qu'à une alimentation de la même tension que celle qui figure sur la plaque signalétique, et il ne pourra fonctionner que sur un courant secteur monophasé. Réalisé avec une double isolation, il est conforme à la réglementation européenne et peut de ce fait être alimenté sans mise à la terre.

Consignes de sécurité

Pour votre propre sécurité, reportez-vous aux consignes de sécurité qui accompagnent l'outil.

CONSIGNES DE SÉCURITÉ SPÉCIFIQUES

NE laissez PAS une impression de confort ou d'habitude de l'outil (acquise par une utilisation répétée) remplacer une adhérence stricte aux consignes de sécurité de la scie sauteuse. Si vous n'utilisez pas cet outil électrique de façon sûre et adéquate, vous courez un risque de blessure grave.

1. Saisissez l'outil électrique par ses surfaces de poigne isolées lorsque vous effectuez une opération au cours de laquelle l'outil tranchant peut entrer en contact avec un câble caché ou avec son propre cordon d'alimentation. Le contact de l'outil tranchant avec un fil sous tension peut mettre les parties métalliques de l'outil électrique sous tension et causer un choc électrique chez l'utilisateur.

2. **Utilisez des dispositifs de serrage ou un autre moyen pratique pour fixer et soutenir la pièce sur une surface stable.** Si vous la tenez avec la main ou l'appuyez contre une partie du corps, la pièce sera instable et vous risquez d'en perdre la maîtrise.
3. **Utilisez toujours des lunettes de protection. Des lunettes ordinaires ou de soleil NE sont PAS des lunettes de protection.**
4. **Attention aux clous.** Avant l'utilisation, vérifiez la présence de clous sur la pièce et, le cas échéant, retirez-les.
5. **Ne pas scier d'éléments dont le diamètre dépasse la capacité de coupe de la scie.**
6. **Vérifiez s'il y a un espace suffisant sous la pièce à travailler avant la coupe, afin que la lame ne frappe pas le plancher, l'établi, etc.**
7. **Tenir fermement l'outil en main.**
8. **Vérifier que la lame n'est pas en contact avec l'élément à scier avant de mettre la scie sauteuse en marche.**
9. **Ne jamais approcher les mains des organes mobiles.**
10. **Ne pas laisser l'outil fonctionner tout seul. Ne le mettre en marche que lorsque vous l'avez en main.**
11. **Couper l'alimentation et attendre que la lame soit complètement arrêtée avant de dégager la lame d'un élément partiellement scié.**
12. **Ne jamais toucher directement la lame immédiatement après avoir scié en raison des risques de brûlure.**
13. **Ne faites pas fonctionner inutilement l'outil sans charge.**

14. Certains matériaux contiennent des produits chimiques qui peuvent être toxiques. Prenez les précautions nécessaires pour éviter que la poussière dégagée lors du travail ne soit inhalée ou n'entre en contact avec la peau. Suivez les consignes de sécurité du fournisseur du matériau.
15. Utilisez toujours un masque antipoussières ou un masque filtrant approprié au matériau à travailler et à l'outil utilisé.

AVERTISSEMENT :

La MAUVAISE UTILISATION de l'outil ou l'ignorance des consignes de sécurité indiquées dans ce manuel d'instructions peut entraîner une blessure grave.

CONSERVEZ CES INSTRUCTIONS.

DESCRIPTION DU FONCTIONNEMENT

ATTENTION :

- Assurez-vous toujours que l'outil est hors tension et débranché avant de l'ajuster ou de vérifier son fonctionnement.

Sélection du type de coupe (Fig. 1)

L'outil peut effectuer des coupes orbitales ou des coupes en ligne droite (vers le haut et vers le bas). La coupe orbitale lance la lame vers l'avant sur la course de coupe et améliore grandement la vitesse de coupe.

Pour modifier le type de coupe, tournez simplement le levier de sélection du type de coupe sur la position correspondant au type de coupe voulu.

Reportez-vous au tableau pour sélectionner le type de coupe adéquat.

Position	Type de coupe	Applications
0	Coupe en ligne droite	Pour la coupe d'acier doux, d'acier inoxydable et de matériaux en plastique. Pour des coupes nettes dans du bois et du contreplaqué.
I	Coupe à petite orbite	Pour la coupe d'acier doux, d'aluminium et de bois dur.
II	Coupe à orbite moyenne	Pour la coupe de bois et de contreplaqué. Pour des coupes rapides dans de l'aluminium et de l'acier doux.
III	Coupe à grande orbite	Pour la coupe rapide de bois et de contreplaqué.

Interrupteur (Fig. 2)

ATTENTION :

- Avant de brancher l'outil, vérifiez toujours que la gâchette fonctionne correctement et qu'elle revient sur la position "OFF" quand vous la relâchez.

Pour mettre l'outil en marche, tirez simplement sur la gâchette. Relâchez la gâchette pour l'arrêter.

Pour un sciage continu, tirez sur la gâchette et enfoncez le bouton de blocage.

Pour arrêter l'outil quand il fonctionne en position bloquée, tirez à fond sur la gâchette puis relâchez-la.

Molette de réglage de la vitesse (Fig. 3)

Pour 4350CT et 4350FCT

Vous pouvez régler la vitesse de l'outil sur toute valeur comprise entre 800 et 2 800 courses par minute en tournant la molette de réglage. La vitesse augmente quand vous tournez la molette vers le chiffre 5, et elle diminue quand vous tournez la molette vers le chiffre 1.

Pour sélectionner la vitesse qui convient en fonction du matériau, voyez le tableau. Toutefois, la vitesse qui convient peut varier en fonction du type ou de l'épaisseur du matériau. En général, des vitesses rapides permettront de couper les matériaux plus rapidement, mais cela réduira la durée de service de la lame.

Matériau à couper	Chiffre de la molette de réglage
Bois	4 – 5
Acier doux	3 – 5
Acier inoxydable	3 – 4
Aluminium	3 – 5
Matières plastiques	1 – 4

ATTENTION :

- Vous ne pourrez pas tourner la molette de réglage de la vitesse plus loin que le chiffre 5 et le chiffre 1. Ne la tournez pas de force au-delà de ces chiffres, sinon elle risque de ne plus fonctionner.

Les caractéristiques qui suivent facilitent l'utilisation des outils munis de fonctions électroniques.

Commande de vitesse constante

Commande électronique de la vitesse afin d'obtenir une vitesse constante. Permet d'obtenir une finition précise puisque la vitesse de rotation est maintenue constante même dans des conditions de lourde charge.

Fonction de démarrage en douceur

Démarrage sûr et en douceur, grâce à la suppression du choc de démarrage.

Allumage de la lampe

Pour 4350FCT uniquement

ATTENTION :

- Evitez de regarder directement le faisceau lumineux ou sa source.

Pour allumer la lampe, appuyez sur la gâchette. Pour l'éteindre, relâchez la gâchette.

NOTE :

- Utilisez un chiffon sec pour essuyer la saleté qui recouvre la lentille de la lampe. Prenez garde de rayer la lentille de la lampe, pour éviter une diminution de l'éclairage.

ASSEMBLAGE

ATTENTION :

- Assurez-vous toujours que l'outil est hors tension et débranché avant d'effectuer tout travail dessus.

Pose et dépose de la lame de scie sauteuse

(Fig. 4, 5 et 6)

ATTENTION :

- Enlevez toujours les copeaux et autres corps étrangers qui adhèrent à la lame et/ou à la tige porte-lame. Sinon, la lame risque de ne pas être suffisamment serrée, ce qui pourrait provoquer de graves blessures.
- Ne touchez ni la lame ni la pièce travaillée immédiatement après l'opération ; elles peuvent être extrêmement chaudes et brûler votre peau.
- Serrez la lame fermement. Sinon, il y a risque de blessure grave.
- Lors de la dépose de la lame, prenez garde de vous blesser aux doigts avec l'extrémité de la lame ou les bouts de la pièce.

Pour installer la lame, déployez l'ouverture de l'outil sur la position indiquée sur l'illustration. (Fig. 4)

En maintenant l'ouverture sur cette position, insérez la lame dans le collier de serrage, jusqu'à ce que les deux saillies de la lame ne soient plus visibles. (Fig. 5)

Remettez l'ouverture de l'outil sur sa position initiale.

Une fois la lame posée, tirez dessus pour vous assurer qu'elle demeure fermement en place.

ATTENTION :

- Ne déployez pas l'ouverture de l'outil de manière excessive, pour éviter d'endommager l'outil.

Pour retirer la lame, déployez l'ouverture de l'outil sur la position indiquée sur l'illustration. Retirez la lame en la tirant vers la base de l'outil. (Fig. 6)

NOTE :

- Lubrifiez de temps en temps la roulette.

Rangement de la clé hexagonale (Fig. 7)

L'outil comprend un dispositif de rangement pratique pour la clé hexagonale après son utilisation.

UTILISATION

ATTENTION :

- Lorsque vous utilisez l'outil, tenez-le fermement avec une main sur la poignée principale. Si nécessaire, vous pouvez soutenir l'avant de l'outil avec l'autre main.
- Maintenez toujours la base de l'outil exactement au niveau du matériau. Sinon, vous risquez de briser la lame et de vous blesser grièvement.

Mettez l'outil en marche et attendez que la lame ait atteint sa vitesse de régime. Puis, amenez la base en contact avec le matériau à scier, et déplacez normalement l'outil vers l'avant en suivant le trait marqué préalablement. Faites avancer l'outil très lentement quand la lame doit suivre des courbes. (Fig. 8)

Coupe en biais

ATTENTION :

- Assurez-vous toujours que le contact est coupé et l'outil débranché avant d'incliner la base de l'outil.

En inclinant la base de l'outil, vous pouvez effectuer des coupes en biais sur tout angle compris entre 0° et 45° (vers la gauche ou la droite). (Fig. 9)

Desserrez le boulon qui se trouve à l'arrière de la base de l'outil à l'aide de la clé hexagonale. Déplacez la base de l'outil de façon que le boulon se trouve au centre de la fente angulaire sur la base. (Fig. 10)

Inclinez la base de l'outil de façon à obtenir l'angle de biseau voulu. L'entaille en V du carter d'engrenages indique l'angle de biseau au moyen de graduations. Serrez ensuite fermement le boulon pour fixer la base. (Fig. 11)

Sciage au ras d'un obstacle (Fig. 12)

Desserrez le boulon au dos de la base de l'outil à l'aide de la clé hexagonale, et reculez la base de l'outil à fond vers l'arrière. Puis, serrez le boulon pour fixer la base de l'outil.

Découpes

Les découpes s'effectuent suivant deux méthodes, A ou B.

A) Perçage d'un trou d'amorce :

Pour les découpes internes sans entaille d'amorce sur le bord du matériau, percez à trou d'amorce de 12 mm de diamètre ou plus. Insérez la lame dans ce trou pour commencer la découpe. (Fig. 13)

B) Attaque en plein bois :

Vous n'aurez pas besoin de percer un trou d'amorce ni de faire une entaille d'amorce si vous procédez délicatement comme suit.

1. Inclinez l'avant de l'outil vers l'avant sur le bord avant de la base, la lame étant placée juste au-dessus de la surface du matériau. (Fig. 14)
2. Appuyez sur l'outil de façon que le bord avant de la base ne bouge pas quand vous mettez l'outil en marche, et abaissez lentement et délicatement l'arrière de l'outil.
3. Lorsque la lame traverse le matériau, abaissez lentement la base de l'outil sur la surface du matériau.
4. Terminez la coupe normalement.

Finition des bords (Fig. 15)

Pour équarrir les bords ou faire des ajustements de dimension, passez légèrement la lame sur les bords de coupe.

Coupe de métal

Utilisez toujours un liquide de refroidissement (huile de coupe) pour couper du métal. Sinon, la lame s'usera très rapidement. Vous pouvez aussi enduire directement la face intérieure du matériau de graisse, au lieu d'utiliser un liquide de refroidissement.

Collecte de poussière

Afin d'assurer la propreté lors des opérations de coupe, il est préférable d'utiliser le raccord d'aspiration (accessoire).

Pour fixer le raccord d'aspiration à l'outil, insérez le crochet du raccord dans l'orifice de la base. (Fig. 16 et 17)

Le raccord d'aspiration peut être installé d'un côté comme de l'autre de la base.

Raccordez ensuite un aspirateur Makita au raccord d'aspiration. (Fig. 18)

ATTENTION :

- Si vous tentez de retirer le raccord d'aspiration par la force, son crochet sera affaibli et vous risquez de le retirer par inadvertance en cours d'utilisation.

Ensemble de guide parallèle (accessoire en option)

ATTENTION :

- Assurez-vous toujours que le contact est coupé et l'outil débranché avant d'installer ou de retirer des accessoires.

1) Coupes droites (Fig. 19 et 20)

Pour couper régulièrement des largeurs égales ou inférieures à 160 mm, utilisez le guide parallèle pour obtenir des coupes rapides, nettes et droites. Pour installer le guide parallèle, insérez-le dans l'orifice rectangulaire situé sur le côté de la base de l'outil, avec le guide parallèle tourné vers le bas. Positionnez le guide parallèle à la largeur de coupe voulue, puis vissez le boulon pour fixer le guide.

2) Coupes circulaires (Fig. 21 et 22)

Pour découper des arcs de cercle d'un rayon égal ou inférieur à 170 mm, installez le guide parallèle comme suit.

Insérez le guide parallèle dans l'orifice rectangulaire situé sur le côté de la base de l'outil, avec le guide parallèle tourné vers le haut. Insérez la goupille de guide circulaire dans l'un des deux trous du guide de garde. Vissez le boulon fileté sur la goupille pour fixer la goupille.

Puis, positionnez le guide parallèle sur le rayon de coupe voulu, et serrez le boulon pour fixer le guide. Ensuite, faites glisser la base de l'outil à fond vers l'avant.

NOTE :

- Utilisez toujours des lames No. B-17, B-18, B-26 ou B-27 pour découper des cercles ou des arcs de cercle.

Ensemble d'adaptateur pour guide de délignage (accessoire)

L'utilisation du guide de délignage et de son adaptateur assure un travail rapide et propre lors des coupes parallèles de largeur uniforme, ou lors des coupes rectilignes. (Fig. 23)

Pour installer l'adaptateur pour guide de délignage, insérez à fond la règle dans l'orifice carré de la base. Serrez ensuite le boulon fermement au moyen de la clé hexagonale. (Fig. 24)

Installez l'adaptateur pour guide de délignage sur la barre du guide de délignage. Insérez la règle dans l'orifice carré de l'adaptateur pour guide de délignage. Placez la base à côté du guide de délignage, puis serrez le boulon fermement. (Fig. 25)

ATTENTION:

- Utilisez toujours une lame n° B-8, B-13, B-16, B-17 ou 58 lorsque vous utilisez le guide de délignage et son adaptateur.

Plaque de recouvrement (Fig. 26)

Utilisez la plaque de recouvrement lors de la coupe des matériaux décoratifs de placage, de plastique, etc. Cette plaque protège contre les dommages les surfaces fragiles ou délicates. Installez-la par l'arrière de la base de l'outil.

Dispositif anti-éclat (Fig. 27)

L'utilisation du dispositif anti-éclat permet d'obtenir des coupes sans éclats. Pour l'installer, déplacez la base de l'outil complètement vers l'avant, puis installez le dispositif par l'arrière de la base de l'outil. Lorsque vous utilisez la plaque de recouvrement, installez le dispositif anti-éclat sur cette dernière.

ATTENTION :

- Vous ne pourrez pas utiliser le dispositif anti-éclat pour les coupes en biais.

ENTRETIEN

ATTENTION :

- Assurez-vous toujours que l'outil est hors tension et débranché avant d'y effectuer tout travail d'inspection ou d'entretien.

Pour maintenir la SÉCURITÉ et la FIABILITÉ du produit, les réparations, l'inspection et le remplacement des charbons, et tout autre travail d'entretien ou de réglage doivent être effectués dans un centre de service Makita agréé ou un centre de service de l'usine Makita, exclusivement avec des pièces de rechange Makita.

ACCESSOIRES

ATTENTION :

- Les accessoires ou pièces supplémentaires qui suivent sont recommandés pour l'utilisation avec l'outil Makita spécifié dans ce manuel. L'utilisation de tout autre accessoire ou pièce supplémentaire peut comporter un risque de blessure. Utilisez uniquement l'accessoire ou la pièce supplémentaire dans le but spécifié.

Pour obtenir plus de détails sur ces accessoires, contactez votre Centre d'Entretien local Makita.

- Lame de scie sauteuse
- Clé hexagonale 4
- Ensemble de guide parallèle (règle de guidage)
- Ensemble d'adaptateur pour guide de délignage
- Ensemble de guide de délignage
- Dispositif anti-éclat
- Raccord d'aspiration
- Plaque de recouvrement
- Tuyau (Pour l'aspirateur)

Übersicht

1	Pendelhub-Umschalthebel	11	Schnittlinie	21	Anschlagführung
2	Elektronikschalter	12	Schraube	22	Gewindeknopf
3	Schalterarretierung	13	Teilstriche	23	Dorn für Kreisschneider
4	Hubzahl-Stellrad	14	Kreuzschlitz	24	Führungsstange
5	Klemmenhebel	15	Getriebegehäuse	25	Schraube
6	Sägeblattklemme	16	Kerbnut	26	Führungsanschlag
7	Sägeblatt	17	Vorbohrung	27	Führungsschiene
8	Vorsprünge	18	Absaugstutzen	28	Gleitplatte
9	Grundplatte	19	Schlauch für Staubsauger	29	Spanreißschutz
10	Inbusschlüssel	20	Parallelanschlag		

TECHNISCHE DATEN

Modell	4350T	4350CT	4350FCT
Hubhöhe.....	26 mm	26 mm	26 mm
Maximale Schnitttiefe			
Holz.....	135 mm	135 mm	135 mm
Stahl.....	10 mm	10 mm	10 mm
Aluminium.....	20 mm	20 mm	20 mm
Hubzahl pro Minute (min ⁻¹).....	2 800	800 – 2 800	800 – 2 800
Gesamtlänge.....	236 mm	236 mm	236 mm
Nettogewicht.....	2,6 kg	2,6 kg	2,6 kg
Sicherheitsklasse.....	□/II	□/II	□/II

- Wir behalten uns vor, Änderungen im Zuge der Entwicklung und des technischen Fortschritts ohne vorherige Ankündigung vorzunehmen.
- Die technischen Daten können von Land zu Land abweichen.
- Gewicht nach EPTA-Verfahren 01/2003

Vorgesehene Verwendung

Diese Maschine ist für das Sägen von Holz, Kunststoff und Metall vorgesehen. Dank des umfangreichen Zubehör- und Sägeblattprogramms kann die Maschine für viele Zwecke eingesetzt werden und eignet sich ideal für Bogen- oder Kreisschnitte.

Netzanschluß

Die Maschine darf nur an die auf dem Typenschild angegebene Netzspannung angeschlossen werden und arbeitet nur mit Einphasen-Wechselspannung. Sie ist entsprechend den Europäischen Richtlinien doppelt schutzisoliert und kann daher auch an Steckdosen ohne Erdanschluß betrieben werden.

Sicherheitshinweise

Lesen und beachten Sie diese Hinweise, bevor Sie das Gerät benutzen.

SPEZIELLE SICHERHEITSGEGELN

Lassen Sie sich NICHT durch Bequemlichkeit oder Vertrautheit mit dem Produkt (durch wiederholten Gebrauch erworben) von der strikten Einhaltung der Sicherheitsregeln für die Stichsäge abhalten. Wenn Sie dieses Elektrowerkzeug auf unsichere oder unsachgemäße Weise benutzen, können Sie schwere Verletzungen erleiden.

1. Halten Sie Elektrowerkzeuge nur an den isolierten Griffflächen, wenn Sie Arbeiten ausführen, bei denen die Gefahr besteht, dass verborgene Kabel oder das eigene Kabel kontaktiert werden. Bei Kontakt mit einem Strom führenden Kabel können die freiliegenden Metallteile des Elektrowerk-

zeugs ebenfalls Strom führend werden, so dass der Benutzer einen elektrischen Schlag erleiden kann.

2. **Verwenden Sie Klemmen oder eine andere praktische Methode, um das Werkstück auf einer stabilen Unterlage zu sichern und abzustützen.** Wenn Sie das Werkstück nur von Hand oder gegen Ihren Körper halten, befindet es sich in einer instabilen Lage, die zum Verlust der Kontrolle führen kann.
3. **Tragen Sie stets eine Sicherheits- oder Schutzbrille. Eine gewöhnliche Brille oder Sonnenbrille ist KEIN Ersatz für eine Sicherheitsbrille.**
4. **Schneiden Sie keine Nägel durch. Untersuchen Sie das Werkstück auf Nägel, und entfernen Sie diese vor der Bearbeitung.**
5. **Schneiden Sie keine übergroßen Werkstücke.**
6. **Vergewissern Sie sich vor dem Sägen, dass genügend Freiraum hinter dem Werkstück vorhanden ist, damit das Sägeblatt nicht gegen eine harte Oberfläche, wie Fußboden, Werkbank usw., stößt.**
7. **Halten Sie die Maschine sicher in der Hand.**
8. **Achten Sie stets darauf, daß das Sägeblatt nicht das Werkstück berührt, bevor die Stichsäge eingeschaltet wird.**
9. **Halten Sie während des Betriebs die Hände von den sich bewegenden Teilen der Maschine fern.**
10. **Die Maschine nicht im eingeschalteten Zustand aus der Hand legen. Die Benutzung ist nur in handgehaltener Weise vorgesehen.**
11. **Das Sägeblatt erst dann vom Werkstück entfernen, nachdem die Maschine abgeschaltet wurde und das Sägeblatt zum Stillstand gekommen ist.**
12. **Berühren Sie weder Sägeblatt noch Werkstück unmittelbar nach dem Schneiden; beide können sehr heiß sein und Verbrennungen verursachen.**
13. **Lassen Sie das Werkzeug nicht unnötig im Leerlauf laufen.**

14. Manche Materialien können giftige Chemikalien enthalten. Treffen Sie Vorsichtsmaßnahmen, um das Einatmen von Arbeitsstaub und Hautkontakt zu verhüten. Befolgen Sie die Sicherheitsdaten des Materialherstellers.
15. Verwenden Sie stets die korrekte Staubschutz- oder Atemmaske für das jeweilige Material und die Anwendung.

BEWAHREN SIE DIESE HINWEISE SORGFÄLTIG AUF.

WARNUNG:

MISSBRAUCH oder Missachtung der Sicherheitsvorschriften in dieser Anleitung können schwere Verletzungen verursachen.

FUNKTIONSBESCHREIBUNG

VORSICHT:

- Vergewissern Sie sich vor jeder Einstellung oder Funktionsprüfung der Maschine stets, dass sie ausgeschaltet und vom Stromnetz getrennt ist.

Wahl der Schnittbewegung (Abb. 1)

Diese Maschine kann mit Pendelhub oder Linearhub (gerade Auf-Ab-Bewegung) betrieben werden. Bei Pendelhub wird das Sägeblatt im Schnitthub vorwärts geschoben, wodurch erheblich höhere Schnittgeschwindigkeiten möglich sind.

Zum Umschalten der Schnittbewegung drehen Sie einfach den Umschalthebel auf die Position der gewünschten Schnittbewegung.

Wählen Sie die geeignete Schnittbewegung anhand der Tabelle aus.

Position	Schnittbewegung	Anwendungen
0	Geradlinige Schnittbewegung	Zum Schneiden von Weichstahl, Edelstahl und Kunststoff. Für saubere Schnitte in Holz und Sperrholz.
I	Kleiner Pendelhub	Zum Schneiden von Weichstahl, Aluminium und Hartholz.
II	Mittlerer Pendelhub	Zum Schneiden von Holz und Sperrholz. Für schnelles Schneiden von Aluminium und Weichstahl.
III	Großer Pendelhub	Für schnelles Schneiden von Holz und Sperrholz.

Schalterfunktion (Abb. 2)

VORSICHT:

- Überprüfen Sie vor dem Anschließen der Maschine an das Stromnetz stets, ob der Schalter ordnungsgemäß funktioniert und beim Loslassen in die "AUS"-Stellung zurückkehrt.

Zum Einschalten der Maschine einfach den Schalter drücken. Zum Ausschalten den Schalter loslassen.

Für Dauerbetrieb den Schalter drücken, und dann die Schalterarretierung hineindrücken.

Zum Ausrasten der Schalterarretierung den Elektronikschalter ganz hineindrücken und dann loslassen.

Hubzahl-Stellrad (Abb. 3)

Für 4350CT, 4350FCT

Die Hubzahl kann durch Drehen des Hubzahl-Stellrads zwischen 800 und 2 800 Hüben pro Minute eingestellt werden. Auf dem Hubzahl-Stellrad sind die Positionen 1 (niedrigste Hubzahl) bis 5 (höchste Hubzahl) markiert. Hinweise auf die richtige, werkstoffgerechte Hubzahl entnehmen Sie der Tabelle. Die geeignete Hubzahl kann jedoch je nach Art und Dicke des Werkstücks unterschiedlich sein. Höhere Hubzahlen ermöglichen im allgemeinen schnelleres Sägen von Werkstücken, bewirken aber auch eine Verkürzung der Lebensdauer des Sägeblatts.

Werkstoff	Hubzahl-Einstellung
Holz	4 – 5
Weichstahl	3 – 5
Edelstahl	3 – 4
Aluminium	3 – 5
Kunststoff	1 – 4

VORSICHT:

- Das Hubzahl-Stellrad lässt sich nur bis zur Position 5 vor- und bis zur Position 1 zurückdrehen. Drehen Sie es nicht gewaltsam über die Position 5 oder 1 hinaus, weil sonst eine genaue Einstellung der Hubzahl nicht mehr möglich ist.

Die mit Elektronikfunktionen ausgestatteten Maschinen weisen die folgenden Merkmale zur Bedienungserleichterung auf.

Konstanthubzahlregelung

Elektronische Hubzahlregelung zur Aufrechterhaltung einer konstanten Hubzahl. Feines Finish wird ermöglicht, weil die Hubzahl selbst unter Belastung konstant gehalten wird.

Soft-Start-Funktion

Diese Funktion gewährleistet Sicherheit und ruckfreies Anlaufen durch Anlaufstoßunterdrückung.

Einschalten der Lampen

Nur für 4350FCT

VORSICHT:

- Blicken Sie nicht direkt in das Licht oder die Lichtquelle. Betätigen Sie den Ein-Aus-Schalter zum Einschalten der Lampe. Lassen Sie den Ein-Aus-Schalter zum Ausschalten der Lampe los.

HINWEIS:

- Wischen Sie Schmutz auf der Linse der Lampe mit einem trockenen Tuch ab. Achten Sie sorgfältig darauf, dass Sie die Linse der Lampe nicht verkratzen, weil sich sonst die Lichtstärke verringert.

MONTAGE

VORSICHT:

- Vergewissern Sie sich vor der Ausführung von Arbeiten an der Maschine stets, dass sie ausgeschaltet und vom Stromnetz getrennt ist.

Montage/Demontage des Sägeblatts

(Abb. 4, 5 u. 6)

VORSICHT:

- Säubern Sie Sägeblatt und/oder Sägeblatthalter stets von anhaftenden Spänen oder Fremdkörpern. Anderenfalls besteht die Gefahr, daß das Sägeblatt nicht richtig sitzt, was zu schweren Verletzungen führen kann.
- Vermeiden Sie eine Berührung des Sägeblatts oder des Werkstücks unmittelbar nach der Bearbeitung, weil sie dann noch sehr heiß sind und Hautverbrennungen verursachen können.
- Ziehen Sie das Sägeblatt sicher fest. Anderenfalls kann es zu ernsthaften Verletzungen kommen.
- Achten Sie beim Demontieren des Sägeblatts darauf, dass Sie sich nicht die Finger an den Zähnen des Sägeblatts oder an den Zacken des Werkstücks verletzen.

Um das Sägeblatt zu installieren, öffnen Sie den Klemmenhebel auf die in der Abbildung gezeigte Stellung. (Abb. 4)

Führen Sie in diesem Zustand das Sägeblatt so weit in die Sägeblattklemme ein, bis die beiden Vorsprünge des Sägeblatts nicht mehr sichtbar sind. (Abb. 5)

Bringen Sie den Klemmenhebel wieder in seine Ausgangsstellung.

Überprüfen Sie nach der Montage stets den sicheren Sitz des Sägeblatts durch Zugversuch.

VORSICHT:

- Öffnen Sie den Klemmenhebel nicht zu weit, weil sonst die Maschine beschädigt werden kann.

Um das Sägeblatt zu entfernen, öffnen Sie den Klemmenhebel auf die in der Abbildung gezeigte Stellung. Ziehen Sie das Sägeblatt in Richtung der Grundplatte heraus. (Abb. 6)

HINWEIS:

- Schmieren Sie die Führungsrolle von Zeit zu Zeit.

Inbusschlüssel-Aufbewahrung (Abb. 7)

Bei Nichtgebrauch kann der Inbusschlüssel griffbereit an der Maschine aufbewahrt werden.

BETRIEB

VORSICHT:

- Halten Sie die Maschine während der Arbeit mit einer Hand am Hauptgriff fest. Nötigenfalls können Sie das Vorderende der Maschine mit der anderen Hand abstützen.
- Setzen Sie die Grundplatte der Stichsäge stets flach auf das Werkstück auf. Anderenfalls besteht die Gefahr eines Sägeblattbruchs, was zu schweren Verletzungen führen kann.

Schalten Sie die Stichsäge ein und warten Sie, bis das Sägeblatt die volle Hubzahl erreicht. Setzen Sie die Grundplatte flach auf das Werkstück, und bewegen Sie die Maschine entlang der vorher markierten Schnittlinie sachte vorwärts. Der Vorschub sollte bei Kurvenschnitten gering gehalten werden. (Abb. 8)

Gehrungsschnitte

VORSICHT:

- Vergewissern Sie sich vor dem Kippen der Grundplatte stets, daß die Maschine ausgeschaltet und vom Netz getrennt ist.

Durch Neigen der Grundplatte können Gehrungsschnitte in jedem Winkel zwischen 0° und 45° (links oder rechts) ausgeführt werden. (Abb. 9)

Lösen Sie die Schraube an der Rückseite der Grundplatte mit dem Inbusschlüssel. Verschieben sie die Grundplatte so, dass sich die Schraube in der Mitte des Kreuzschlitzes in der Grundplatte befindet. (Abb. 10)

Neigen Sie die Grundplatte, bis der gewünschte Winkel erreicht ist. Der Gehrungswinkel kann an der Kerbnut des Getriebegehäuses abgelesen werden. Ziehen Sie dann die Schraube zur Sicherung der Grundplatte fest an. (Abb. 11)

Randnahe Schnitte (Abb. 12)

Lösen Sie die Innensechskantschraube an der Unterseite der Maschine und schieben Sie die Grundplatte bis zum Anschlag zurück. Ziehen Sie anschließend die Innensechskantschraube zur Befestigung der Grundplatte wieder an.

Ausschnitte

Es gibt zwei Möglichkeiten, Ausschnitte durchzuführen:

A) Vorbohren:

Bei Innenausschnitten ohne Zuführschnitt von einer Kante aus machen Sie eine Vorbohrung von ca. 12 mm Durchmesser. Das Sägeblatt in diese Öffnung einführen und mit dem Sägen beginnen. (Abb. 13)

B) Tauchschnitte:

Um Schnitte ohne Vorbohren oder Zuführschnitt auszuführen, gehen Sie wie folgt vor:

1. Die Stichsäge auf der Vorderkante der Grundplatte kippen, so daß die Sägeblattspitze dicht über der Oberfläche des Werkstücks liegt. (Abb. 14)
2. Druck auf die Stichsäge ausüben, damit die Vorderkante der Grundplatte nicht verrutscht, wenn die Stichsäge eingeschaltet und das hintere Ende langsam abgesenkt wird.
3. Sobald das Sägeblatt in das Werkstück eindringt, die Grundplatte langsam auf die Oberfläche des Werkstücks absenken.
4. Den Schnitt in gewohnter Weise beenden.

Bearbeitung von Kanten (Abb. 15)

Um Kanten nachzuarbeiten oder Maßkorrekturen vorzunehmen, das Sägeblatt leicht an den Schnittkanten entlangführen.

Schneiden von Metall

Beim Schneiden von Metall stets ein geeignetes Kühlmittel (Schneidöl) verwenden. Nichtbeachtung verursacht erheblichen Verschleiß des Sägeblatts. Anstelle von Kühlmittel kann auch die Unterseite des Werkstücks eingefettet werden.

Staubabsaugung

Der Absaugstutzen (Zubehör) wird für sauberen Schnittbetrieb empfohlen.

Um den Absaugstutzen an der Maschine anzubringen, führen Sie seinen Haken in die Öffnung der Grundplatte ein. **(Abb. 16 u. 17)**

Der Absaugstutzen kann sowohl auf der linken als auch der rechten Seite der Grundplatte angebracht werden. Schließen Sie dann einen Makita-Staubsauger an den Absaugstutzen an. **(Abb. 18)**

VORSICHT:

- Falls Sie versuchen, den Absaugstutzen gewaltsam zu entfernen, kann sich der Haken des Absaugstutzens während des Betriebs verkürzen und unbeabsichtigt lösen.

Parallelanschlagsatz (Sonderzubehör)

VORSICHT:

- Vergewissern Sie sich vor dem Montieren oder Demonstrieren von Zubehör stets, daß die Maschine ausgeschaltet und vom Netz getrennt ist.

1) Gerade Schnitte (Abb. 19 u. 20)

Bei wiederholtem Schneiden von Breiten kleiner als 160 mm gewährleistet der Parallelanschlag schnelle, saubere und gerade Schnitte. Führen Sie den Parallelanschlag in die rechteckige Öffnung an der Seite der Grundplatte ein, so daß die Anschlagführung nach unten gerichtet ist. Schieben Sie den Parallelanschlag zur Position der gewünschten Schnittbreite, und ziehen Sie dann die Schraube zur Befestigung an.

2) Kreisschnitte (Abb. 21 u. 22)

Um Kreis- oder Bogenschnitte von weniger als 170 mm Radius durchzuführen, montieren Sie den Parallelanschlag wie folgt.

Führen Sie den Parallelanschlag in die rechteckige Öffnung an der Seite der Grundplatte ein, so daß die Anschlagführung nach oben gerichtet ist. Setzen Sie den Dorn des Kreisschneiders in eine der beiden Bohrungen in der Anschlagführung ein, und sichern Sie ihn mit dem Gewindeknopf.

Schieben Sie nun den Parallelanschlag zu dem gewünschten Schnittradius, und ziehen Sie die Schraube zur Befestigung an. Schieben Sie dann die Grundplatte der Maschine ganz nach vorn.

HINWEIS:

- Verwenden Sie stets die Sägeblätter Nr. B-17, B-18, B-26 oder B-27 für kreis- oder bogenförmige Schnitte.

Führungsanschlagsatz (Zubehör)

Bei der Ausführung von Parallelschnitten von gleichmäßiger Breite oder von Geradschnitten gewährleisten die Führungsschiene und der Führungsanschlag die Erzeugung von schnellen und sauberen Schnitten. **(Abb. 23)**

Zum Installieren des Führungsanschlags führen Sie die Führungsstange bis zum Anschlag in das Vierkantloch der Grundplatte ein. Ziehen Sie die Schraube mit dem Inbusschlüssel fest an. **(Abb. 24)**

Befestigen Sie den Führungsanschlag an der Führungsschiene. Führen Sie die Führungsstange in das Vierkantloch des Führungsanschlags ein. Bringen Sie die Grundplatte an der Seite der Führungsschiene an, und ziehen Sie die Schraube fest an. **(Abb. 25)**

VORSICHT:

- Benutzen Sie bei Verwendung der Führungsschiene und des Führungsanschlags stets die Sägeblätter Nr. B-8, B-13, B-16, B-17 oder 58.

Deckplatte (Abb. 26)

Verwenden Sie die Gleitplatte zum Schneiden von dekorativen Furnieren, Kunststoffen usw. Sie schützt empfindliche oder feine Oberflächen vor Beschädigung. Passen Sie die Gleitplatte auf die Unterseite der Grundplatte.

Spanreißschutz (Abb. 27)

Um splitterfreie Schnitte auszuführen, empfiehlt sich die Verwendung des Spanreißschutzes. Schieben Sie die Grundplatte bis zum Anschlag nach vorne, und montieren Sie den Spanreißschutz von der Unterseite der Grundplatte. Wenn Sie die Gleitplatte verwenden, montieren Sie den Spanreißschutz auf die Gleitplatte.

VORSICHT:

- Bei Gehrungsschnitten kann der Spanreißschutz nicht verwendet werden.

WARTUNG

VORSICHT:

- Denken Sie vor der Durchführung von Überprüfungen oder Wartungsarbeiten stets daran, die Maschine auszuschalten und vom Stromnetz zu trennen.

Um die SICHERHEIT und ZUVERLÄSSIGKEIT dieses Produkts aufrechtzuerhalten, sollten Reparaturen, Überprüfung und Austausch der Kohlebürsten und andere Wartungs- oder Einstellarbeiten nur von Makita-Kundendienstzentren unter ausschließlicher Verwendung von Makita-Originalersatzteilen ausgeführt werden.

ZUBEHÖR

VORSICHT:

- Die folgenden Zubehörteile oder Vorrichtungen werden für den Einsatz mit der in dieser Anleitung beschriebenen Makita-Maschine empfohlen. Die Verwendung anderer Zubehörteile oder Vorrichtungen kann eine Verletzungsgefahr darstellen. Verwenden Sie Zubehörteile oder Vorrichtungen nur für ihren vorgesehenen Zweck.

Wenn Sie weitere Einzelheiten bezüglich dieser Zubehörteile benötigen, wenden Sie sich bitte an Ihre Makita-Kundendienststelle.

- Sägeblatt
- Inbusschlüssel 4
- Parallelanschlagsatz (führungslinealsatz)
- Führungsanschlagsatz
- Führungsschienensatz
- Spanreißschutz
- Absaugstutzen
- Gleitplatte
- Schlauch (Für Staubsauger)

Visione generale

1	Leva di cambio modo di taglio	11	Linea di taglio	21	Guida riparo
2	Grilletto interruttore	12	Bullone	22	Pomello filettato
3	Bottone di bloccaggio	13	Graduazioni	23	Perno guida circolare
4	Ghiera di regolazione velocità	14	Scanalatura di inclinazione	24	Righello
5	Dispositivo di apertura utensile	15	Allargiamento ingranaggi	25	Vite
6	Portalama	16	Tacca a V	26	Adattatore rotaia guida
7	Lama seghetto alternativo	17	Foro iniziale	27	Rotaia guida
8	Sporgenze	18	Bocchettone aspirapolvere	28	Piastra di protezione
9	Base	19	Manicotto per aspirapolvere	29	Dispositivo antisceggiamento
10	Chiave esagonale	20	Guida pezzo		

DATI TECNICI

Modello	4350T	4350CT	4350FTC
Lunghezza corsa	26 mm	26 mm	26 mm
Capacità massima di taglio			
Legno	135 mm	135 mm	135 mm
Acciaio	10 mm	10 mm	10 mm
Alluminio	20 mm	20 mm	20 mm
Corse al minuto (min ⁻¹)	2.800	800 – 2.800	800 – 2.800
Lunghezza totale	236 mm	236 mm	236 mm
Peso netto	2,6 kg	2,6 kg	2,6 kg
Classe di sicurezza	□ /II	□ /II	□ /II

- Per il nostro programma di ricerca e sviluppo continui, i dati tecnici sono soggetti a modifiche senza preavviso.
- I dati tecnici potrebbero differire a seconda del paese di destinazione del modello.
- Peso in base alla procedura EPTA 01/2003

Utilizzo previsto

L'utensile va usato per il taglio di legno, plastica e materiali metallici. Grazie alla vasta gamma di accessori e lame, l'utensile può essere usato in svariate applicazioni ed è particolarmente adatto per praticare tagli curvi o circolari.

Alimentazione

L'utensile deve essere collegato ad una presa di corrente con la stessa tensione indicata sulla targhetta del nome, e può funzionare soltanto con la corrente alternata monofase. Esso ha un doppio isolamento in osservanza alle norme europee, per cui può essere usato con le prese di corrente sprovviste della messa a terra.

Consigli per la sicurezza

Per la vostra sicurezza, riferitevi alle accluse istruzioni per la sicurezza.

SPECIFICHE REGOLE DI SICUREZZA

NON lasciare che la comodità o la familiarità con il prodotto (acquisita con l'uso ripetuto) sostituisca la stretta osservanza delle norme di sicurezza per il seghetto alternativo. Se si usa questo utensile elettrico in modo insicuro o sbagliato, c'è pericolo di seri infortuni.

1. **Tenere gli utensili elettrici per le superfici di presa isolate quando si eseguono operazioni in cui l'utensile da taglio potrebbe fare contatto con fili elettrici nascosti o con il suo stesso cavo di alimentazione.** Se l'utensile da taglio entra in contatto con un filo elettrico "sotto tensione" mette "sotto tensione" le parti metalliche esposte dell'utensile, dando una scossa all'operatore.

2. **Usare morse od altri modi pratici per fissare e supportare il pezzo su una superficie stabile.** Se lo si tiene in mano o contro il proprio corpo, il pezzo diventa instabile e potrebbe causare la perdita di controllo.
3. **Usare sempre occhiali di sicurezza o occhialoni.** I normali occhiali o gli occhiali da sole **NON** sono occhiali di sicurezza.
4. **Evitare di tagliare chiodi.** Prima di iniziare la lavorazione, ispezionare il pezzo ed estrarne i chiodi eventualmente presenti.
5. **Non tagliare pezzi che superano la capacità dell'utensile.**
6. **Accertare che dietro il pezzo da tagliare vi sia uno spazio libero sufficiente a consentire che la lama non colpisca il pavimento, il banco di lavoro, ecc.**
7. **Tenere l'utensile ben saldo.**
8. **Assicurarsi che la lama non sia a contatto con il pezzo da lavorare prima di mettere in moto l'utensile.**
9. **Tenere le mani lontano da parti in movimento.**
10. **Non lasciare l'utensile in moto a vuoto. Mettere in moto solamente quando si tiene l'utensile bene stretto in mano.**
11. **Prima di ritirare la lama dal pezzo in lavorazione staccare la corrente ed aspettare che la lama si fermi completamente.**
12. **Non toccare la lama o il pezzo in lavorazione subito dopo l'operazione; potrebbero essere estremamente caldi e causare ustioni.**
13. **Non far funzionare inutilmente l'utensile a vuoto.**
14. **Alcuni materiali contengono sostanze chimiche che potrebbero essere tossiche. Fare attenzione per evitare l'inalazione o il contatto con la pelle. Osservare le precauzioni del produttore del materiale.**

15. Usare sempre la mascherina antipolvere/respiratore adatti al materiale e all'applicazione con cui si lavora.

AVVERTIMENTO:

L'utilizzo SBAGLIATO o la mancata osservanza delle norme di sicurezza di questo manuale di istruzioni potrebbero causare lesioni serie.

CONSERVATE QUESTE ISTRUZIONI.

DESCRIZIONE DEL FUNZIONAMENTO

ATTENZIONE:

- Accertarsi sempre che l'utensile sia spento e staccato dalla presa di corrente prima di regolarlo o di controllare il suo funzionamento.

Selezione del modo di taglio (Fig. 1)

Questo utensile può essere fatto funzionare nel modo di taglio orbitale o in linea retta (su e giù). Il modo di taglio orbitale spinge la lama in avanti nella corsa di taglio e aumenta grandemente la velocità di taglio.

Per cambiare il modo di taglio, girare semplicemente la leva di cambio modo di taglio sulla posizione di taglio desiderata.

Per selezionare l'azione di taglio appropriata, vedere la tabella.

Posizione	Modo di taglio	Applicazioni
0	Linea retta	Per tagliare l'acciaio dolce, l'acciaio inossidabile e la plastica. Per il taglio pulito del legno e del compensato.
I	Orbita piccola	Per tagliare l'acciaio dolce, l'alluminio e il legno duro.
II	Orbita media	Per tagliare il legno e il compensato. Per tagliare velocemente l'alluminio e l'acciaio dolce.
III	Orbita grande	Per tagliare velocemente il legno e il compensato.

Funzionamento dell'interruttore (Fig. 2)

ATTENZIONE:

- Prima di collegare l'utensile alla rete, accertarsi sempre che il grilletto interruttore funzioni correttamente e che torni sulla posizione "OFF" quando viene rilasciato.

Per mettere in moto l'utensile, schiacciare semplicemente il grilletto interruttore. Rilasciarlo per fermarlo.

Per il funzionamento continuo, schiacciare il grilletto interruttore e spingere poi dentro il bottone di bloccaggio. Per fermare l'utensile dalla posizione di bloccaggio, schiacciare completamente il grilletto interruttore e rilasciarlo.

Ghiera di regolazione velocità (Fig. 3)

Per i modelli 4350CT, 4350FCT

La velocità dell'utensile può essere regolata liberamente tra i 800 e i 2.800 giri al minuto girando la ghiera di regolazione. Le velocità più alte si ottengono girando la ghiera nella direzione del numero 5, e quelle più basse girandola nella direzione del numero 1.

Per selezionare la velocità corretta per il pezzo da tagliare, riferirsi alla tabella. La velocità appropriata potrebbe però differire secondo il tipo e lo spessore del pezzo da lavorare. Generalmente, le velocità più alte consentono di tagliare i pezzi da lavorare più velocemente, ma in questo modo la vita di servizio della lama si riduce.

Pezzo da tagliare	Numero sulla ghiera di regolazione
Legno	4 – 5
Acciaio dolce	3 – 5
Acciaio inossidabile	3 – 4
Alluminio	3 – 5
Plastica	1 – 4

ATTENZIONE:

- La ghiera di regolazione della velocità può essere girata in avanti soltanto fino a 5 e indietro fino a 1. Non forzarla oltre 5 o 1, perché altrimenti potrebbe diventare inutilizzabile.

Gli utensili provvisti di regolazione elettronica sono facili da usare grazie alle seguenti funzioni.

Controllo velocità costante

Controllo elettronico della velocità per il funzionamento dell'utensile a velocità costante.

Ciò consente di ottenere una finitura precisa, poiché la velocità di rotazione viene mantenuta costante anche in condizioni di carico.

Funzione di avvio graduale

Avvio di sicurezza e graduale grazie all'eliminazione dello strappo all'avviamento.

Accensione delle luci

Solo per il modello 4350FCT

ATTENZIONE:

- Non guardare la luce o guardare direttamente la fonte di luce.

Per accendere la lampadina, schiacciare il grilletto. Rilasciare il grilletto per spegnerla.

NOTA:

- Usare un panno asciutto per togliere lo sporco dalla lente della lampadina. Fare attenzione a non graffiare la lente della lampadina, perché ciò potrebbe ridurre l'illuminazione.

MONTAGGIO

ATTENZIONE:

- Accertarsi sempre che l'utensile sia spento e staccato dalla presa di corrente prima di qualsiasi intervento su di esso.

Installazione e rimozione della lama

(Fig. 4, 5 e 6)

ATTENZIONE:

- Togliere sempre i trucioli e le sostanze estranee attaccate alla lama e/o portalama. Questa inosservanza potrebbe causare un serraggio insufficiente della lama con pericolo di ferite gravi.
- Non toccare la lama o il pezzo tagliato subito dopo l'uso dell'utensile, in quanto potrebbero essere estremamente caldi e provocare ustioni.
- Serrare saldamente la lama. Non facendolo si corre il rischio di gravi lesioni personali.
- Nel rimuovere la lama, fare attenzione a non ferirsi le dita con l'estremità della lama stessa o con le punte del pezzo tagliato.

Per installare la lama, aprire il dispositivo di apertura dell'utensile nella posizione mostrata in figura. (Fig. 4) Mantenendo tale posizione, inserire la lama nel portalama, introducendolo fino al punto in cui le due sporgenze della lama non siano più visibili. (Fig. 5) Riportare il dispositivo di apertura dell'utensile nella posizione iniziale.

Dopo aver installato la lama, accertare sempre che sia saldamente fissata in posizione cercando di tirarla fuori.

ATTENZIONE:

- Non aprire eccessivamente il dispositivo di apertura dell'utensile, in quanto ciò potrebbe danneggiare l'utensile stesso.

Per rimuovere la lama, aprire il dispositivo di apertura dell'utensile nella posizione mostrata in figura. Estrarre la lama tirandola verso la base dell'utensile. (Fig. 6)

NOTA:

- Di tanto in tanto lubrificare il rullino.

Conservazione della chiave esagonale (Fig. 7)

Quando non si usa, la chiave esagonale può essere comodamente riposta.

FUNZIONAMENTO

ATTENZIONE:

- Per usare l'utensile, tenerlo saldamente con una mano per il manico principale. Se necessario, la parte anteriore dell'utensile può essere supportata con l'altra mano.
- Tenere sempre la base dell'utensile a livello con il pezzo da lavorare. Questa inosservanza potrebbe causare la rottura della lama con pericolo di ferite gravi.

Accendere l'utensile e aspettare finché la lama non ha raggiunto la velocità massima. Posare poi la base piana sul pezzo da lavorare e spingerla delicatamente in avanti seguendo la linea di taglio fatta precedentemente. Per tagliare delle curve, spingere l'utensile molto lentamente. (Fig. 8)

Tagli inclinati

ATTENZIONE:

- Accertarsi sempre che l'utensile sia spento e staccato dalla presa di corrente prima di installare o di rimuovere la lama.

Con la base dell'utensile inclinata, è possibile praticare tagli inclinati a qualsiasi angolazione tra 0° e 45° (a sinistra o a destra). (Fig. 9)

Allentare il bullone sul retro della base servendosi della chiave esagonale. Spostare la base in modo che il bullone sia posizionato al centro della scanalatura di inclinazione nella base. (Fig. 10)

Inclinare la base fino ad ottenere l'angolo di inclinazione desiderato. La tacca a V dell'alloggiamento ingranaggi indica l'angolo di inclinazione per gradi. Serrare quindi saldamente il bullone per fissare la base. (Fig. 11)

Tagli frontali della stessa altezza (Fig. 12)

Allentare il bullone sulla parte posteriore della base dell'utensile usando la chiave esagonale, e spostare poi completamente indietro la base. Stringere poi il bullone per fissare la base dell'utensile.

Sfinestrate

Le sfinestrate possono essere fatte con i due metodi A e B.

A) Trapanazione di un foro iniziale:

Per le sfinestrate interne senza un taglio di ingresso dal bordo, trapanare un foro iniziale di 12 mm o più di diametro. Per cominciare a tagliare, inserire la lama in questo foro. (Fig. 13)

B) Taglio a tuffo:

Se si procede con cura come segue, non è necessario trapanare un foro iniziale o fare un taglio di ingresso.

1. Inclinare in su l'utensile sul bordo anteriore della base, con la punta della lama posizionata subito sopra la superficie del pezzo da lavorare. (Fig. 14)
2. Esercitare una pressione sull'utensile in modo che il bordo anteriore della base non si muova quando lo si accende e si abbassa poi delicatamente e lentamente l'estremità posteriore della base.
3. Mentre la lama fora il pezzo da lavorare, abbassare lentamente la base dell'utensile sulla superficie del pezzo da lavorare.
4. Completare il taglio nel modo normale.

Bordi di finitura (Fig. 15)

Per rifinire i bordi o fare regolazioni dimensionali, passare leggermente la lama lungo i bordi di taglio.

Taglio dei metalli

Per tagliare i metalli, usare sempre un refrigerante (olio da taglio) adatto. Questa inosservanza può causare un veloce consumo della lama. Invece di usare un refrigerante, si può spalmare di grasso la parte inferiore del pezzo da lavorare.

Rimozione della polvere

Per eseguire lavorazioni di guida pulite è consigliabile l'utilizzo del bocchettone aspirapolvere (accessorio).

Per fissare il bocchettone aspirapolvere all'utensile, inserire il gancio del bocchettone aspirapolvere nell'apposito foro presente sulla base dell'utensile. **(Fig. 16 e 17)**

Il bocchettone aspirapolvere può essere installato sul lato destro o sinistro della base.

Collegare quindi un aspirapolvere Makita al bocchettone aspirapolvere. **(Fig. 18)**

ATTENZIONE:

- Se si cerca di rimuovere il bocchettone della polvere usando forza, il gancio del bocchettone potrebbe ridursi e venire involontariamente rimosso durante il lavoro.

Gruppo guida pezzo (accessorio opzionale)

ATTENZIONE:

- Accertarsi sempre che l'utensile sia spento e staccato dalla presa di corrente prima di installare o di rimuovere gli accessori.

1) Tagli dritti **(Fig. 19 e 20)**

Se si devono fare ripetutamente dei tagli di 160 mm o meno di larghezza, l'uso della guida pezzo assicura dei tagli dritti veloci e puliti. Per installarla, inserire la guida pezzo nel foro rettangolare sul fianco della base dell'utensile, con la guida riparo rivolta in giù. Spingere la guida pezzo sulla posizione della larghezza di taglio desiderata, e stringere poi il bullone per fissarla.

2) Tagli circolari **(Fig. 21 e 22)**

Per tagliare cerchi o archi con un raggio di 170 mm o meno, installare la guida pezzo come segue.

Inserire la guida pezzo nel foro rettangolare sul fianco della base dell'utensile, con la guida riparo rivolta in su. Inserire il perno della guida circolare in uno dei due fori della guida riparo. Avvitare il pomello filettato nel perno per fissarlo.

Spingere ora la guida pezzo sul raggio di taglio desiderato, e stringere il bullone per fissarla in posizione. Spostare poi completamente in avanti la base dell'utensile.

NOTA:

- Per tagliare i cerchi e gli archi, usare sempre le lame No. B-17, B-18, B-26 o B-27.

Gruppo adattatore rotaia guida (accessorio)

Quando si fanno dei tagli paralleli e uniformi o dritti, l'impiego della rotaia guida e dell'adattatore rotaia guida assicura dei tagli veloci e puliti. **(Fig. 23)**

Per installare l'adattatore rotaia guida, inserire il righello nel foro quadrato della base finché non può più andare oltre. Fissare saldamente il bullone con la chiave esagonale. **(Fig. 24)**

Installare l'adattatore rotaia guida sulla rotaia della rotaia guida. Inserire il righello nel foro quadrato dell'adattatore rotaia guida. Mettere la base sul fianco della rotaia guida e stringere saldamente il bullone. **(Fig. 25)**

ATTENZIONE:

- Usando il rotaia guida e l'adattatore rotaia guida, usare sempre le lame No. B-8, B-13, B-16, B-17 o 58.

Piastra di protezione **(Fig. 26)**

Utilizzare la piastra di protezione per tagliare impiallaccature decorative o materiali in plastica, ecc. In questo modo si proteggono dal danneggiamento le superfici più sensibili o delicate. Fissare la piastra di protezione sul retro della base dell'utensile.

Dispositivo antisceggiamento **(Fig. 27)**

Per ottenere dei tagli privi di schegge, è possibile usare il dispositivo antisceggiamento. Per installare il dispositivo antisceggiamento, spostare del tutto in avanti la base dell'utensile ed installare il dispositivo dal retro della base dell'utensile. Quando si utilizza anche la piastra di protezione, installare il dispositivo antisceggiamento sulla piastra di protezione.

ATTENZIONE:

- Il dispositivo antisceggiamento non può essere usato quando si fanno tagli inclinati.

MANUTENZIONE

ATTENZIONE:

- Accertarsi sempre che l'utensile sia spento e staccato dalla presa di corrente prima di qualsiasi intervento di ispezione o di manutenzione.

Per preservare la sicurezza e l'affidabilità del prodotto, le riparazioni, l'ispezione e la sostituzione delle spazzole di carbone o qualsiasi altra manutenzione e regolazione devono essere eseguite da un Centro Assistenza Makita autorizzato usando sempre ricambi Makita.

ACCESSORI

ATTENZIONE:

- In questo manuale si consiglia di usare questi accessori o ricambi Makita. L'impiego di altri accessori o ricambi potrebbe costituire un pericolo di lesioni. Usare esclusivamente gli accessori o ricambi per il loro scopo specificato.

Per maggiori dettagli riguardo a questi accessori, rivolgersi a un centro di assistenza Makita.

- Lama seghetto alternativo
- Chiave esagonale 4
- Gruppo guida pezzo (righello di guida)
- Gruppo adattatore rotaia guida
- Gruppo rotaia guida
- Dispositivo antisceggiamento
- Bocchettone aspirapolvere
- Piastra di protezione
- Manicotto (Per aspirapolvere)

Verklaring van algemene gegevens

1 Zaagactie-keuzehendel	11 Zaaglijn	21 Geleider
2 Trekkerschakelaar	12 Bout	22 Schroefknop
3 Vastzetknop	13 Schaalverdelingen	23 Pin van cirkelgeleider
4 Snelheidsregelknop	14 Schuine sleuf	24 Lineaalstaaf
5 Gereedschapopener	15 Tandwielhuis	25 Bout
6 Zaagbladklem	16 V-inkeping	26 Geleiderailadapter
7 Figuurzaagblad	17 Startgaatje	27 Geleiderail
8 Uitsteeksels	18 Stofzuigmondstuk	28 Dekplaat
9 Voet	19 Slang voor stofzuiger	29 Antisplinterinrichting
10 Inbussleutel	20 Breedtegeleider	

TECHNISCHE GEGEVENS

Model	4350T	4350CT	4350FTC
Slaglengte	26 mm	26 mm	26 mm
Max. snijcapaciteit			
Hout	135 mm	135 mm	135 mm
Staal	10 mm	10 mm	10 mm
Aluminium.....	20 mm	20 mm	20 mm
Aantal slagen per minuut (min ⁻¹)	2 800	800 – 2 800	800 – 2 800
Gesamtlänge	236 mm	236 mm	236 mm
Nettogewicht	2,6 kg	2,6 kg	2,6 kg
Veiligheidsklasse	□ /I	□ /II	□ /II

- In verband met ononderbroken research en ontwikkeling behouden wij ons het recht voor bovenstaande technische gegevens te wijzigen zonder voorafgaande kennisgeving.
- De technische gegevens kunnen van land tot land verschillen.
- Gewicht volgens de EPTA-procedure 01/2003

Doeleinden van gebruik

Dit gereedschap is bedoeld voor het zagen van hout, kunststof en metalen materialen. Een uitgebreide keuze van accessoires en zaagbladen staat ter beschikking, zodat het gereedschap voor talrijke doeleinden kan worden gebruikt en optimaal geschikt is voor het zagen van bogen en cirkels.

Stroomvoorziening

Het gereedschap mag alleen worden aangesloten op een stroombron van hetzelfde voltage als aangegeven op de naamplaat, en kan alleen op enkel-fase wisselstroom worden gebruikt. Het gereedschap is dubbel-geïsoleerd volgens de Europese standaard en kan derhalve ook op een niet-geaard stopcontact worden aangesloten.

Veiligheidswenken

Voor uw veiligheid dient u de bijgevoegde Veiligheidsvoorschriften nauwkeurig op te volgen.

AANVULLENDE

VEILIGHEIDSVOORSCHRIFTEN

Laat u NIET misleiden door een vals gevoel van comfort en bekendheid met het gereedschap (na veelvuldig gebruik) en neem alle veiligheidsvoorschriften van de decoupeerzaag altijd strikt in acht. Bij onveilig of verkeerd gebruik van het elektrisch gereedschap, bestaat de kans op ernstig persoonlijk letsel.

1. **Houd elektrisch gereedschap vast aan het geïsoleerde oppervlak van de handgrepen wanneer u werkt op plaatsen waar het slijpaccessoire met verborgen bedrading of zijn eigen snoer in aanraking kan komen.** Wanneer het booraccessoire in aanraking komen met onder spanning staande draden, zullen de niet-geïsoleerde metalen delen van het gereedschap onder spanning komen te staan zodat de gebruiker een elektrische schok kan krijgen.
2. **Gebruik klemmen of een andere praktische methode om het werkstuk op een stabiele ondergrond te bevestigen en ondersteunen.** Als u het werkstuk in uw hand of tegen uw lichaam geklemd houdt, is het onvoldoende stabiel en kunt u de controle erover verliezen.
3. **Draag altijd een veiligheidsbril. Een gewone bril of een zonnebril is GEEN veiligheidsbril.**
4. **Vermijd het zagen op de spijkers. Inspecteer het werkstuk vooraf op de aanwezigheid van spijkers en verwijder deze voordat u met het werk begint.**
5. **Ook niet voor het zagen van zeer grote werkstukken.**
6. **Controleer vooraf of er voldoende vrije ruimte is achter het werkstuk om te voorkomen dat het zaagblad tegen een vloer, een werkbank e.d. stoot.**
7. **Houd het gereedschap stevig vast.**
8. **Zorg ervoor dat het zaagblad niet in contact is met het werkstuk voordat u de spanning inschakelt.**
9. **Houd uw handen uit de buurt van de bewegende delen.**
10. **Schakel altijd het gereedschap uit als u weg moet. Schakel het gereedschap alleen in als u het in handen houdt.**
11. **Schakel altijd uit en wacht tot het zaagblad volledig tot stilstand is gekomen, alvorens het gereedschap van het werkstuk te verwijderen.**

12. Raak onmiddellijk na gebruik het zaagblad of het werkstuk niet aan, aangezien het nog gloeiend heet kan zijn en brandwonden kan veroorzaken.
13. Laat het gereedschap niet onnodig onbelast draaien.
14. Sommige materialen bevatten chemische stoffen die vergiftig kunnen zijn. Vermijd inademing van stof en contact met de huid. Volg de veiligheidsinstructies van de leverancier van het materiaal.

15. Gebruik altijd het juiste stofmasker/ademhalingsapparaat voor het materiaal en de toepassing waarmee u werkt.

BEWAAR DEZE VOORSCHRIFTEN.

WAARSCHUWING:

VERKEERD GEBRUIK of het niet naleven van de veiligheidsvoorschriften in deze gebruiksaanwijzing kan leiden tot ernstige verwondingen.

BESCHRIJVING VAN DE FUNCTIES

LET OP:

- Zorg altijd dat het gereedschap is uitgeschakeld en niet op een stopcontact is aangesloten voordat u functies op het gereedschap instelt of controleert.

Selecteren van de zaagactie (Fig. 1)

Dit gereedschap kan met twee zaagacties worden gebruikt: Zagen in een cirkelbaan of in rechte lijn (op en neer). Tijdens zagen in een cirkelbaan, wordt het zaagblad door de zaagactie naar voren geduwd en vermeerderd de zaagsnelheid aanzienlijk.

Om de zaagactie te veranderen, draait u gewoon de zaagactie-keuzehendel naar de gewenste stand.

Zie de tabel om de juiste zaagwerking te kiezen.

Stand	Zaagactie	Toepassingen
0	Zagen in rechte lijn	Zagen van zacht staal, roestvrij staal en plastic. Schoon zagen van hout en gelaagd hout.
I	Zagen in kleine cirkelbaan	Zagen van zacht staal, aluminium en hard hout.
II	Zagen in middelgrote cirkelbaan	Zagen van hout en gelaagd hout. Snel zagen in aluminium en zacht staal.
III	Zagen in grote cirkelbaan	Snel zagen in hout en gelaagd hout.

Werking van de schakelaar (Fig. 2)

LET OP:

- Alvorens het netsnoer op het stopcontact aan te sluiten, dient u altijd te controleren of de trekverschakelaar juist werkt en bij loslaten naar de "OFF" positie terugkeert.

Om het gereedschap te starten, drukt u gewoon de trekker in. Laat de trekker los om het gereedschap te stoppen.

Voor langdurig zagen drukt u eerst de trekker en dan de vastzetknop in.

Om het gereedschap vanuit deze vergrendelde stand te stoppen, wordt de trekker helemaal ingedrukt en vervolgens losgelaten.

Snelheidsregelknop (Fig. 3)

Voor 4350CT, 4350FCT

De zaagsnelheid kan worden ingesteld op een willekeurige snelheid tussen 800 en 2 800 slagen per minuut door de snelheidsregelknop naar links of rechts te draaien. Draai de knop in de richting van nummer 5 om de snelheid te vermeerderen, en in de richting van nummer 1 om de snelheid te verminderen.

Raadpleeg de tabel voor het selecteren van de snelheid die geschikt is voor het te zagen werkstuk. De geschikte snelheid hangt echter ook af van het type of de dikte van het werkstuk. In het algemeen, kunt u met hogere snelheden sneller zagen, maar het zaagblad zal dan minder lang meegaan.

Te zagen werkstuk	Nummer op regelknop
Hout	4 – 5
Zacht staal	3 – 5
Roestvrij staal	3 – 4
Aluminium	3 – 5
Plastic	1 – 4

LET OP:

- De elektronische snelheidsregeling kan niet verder dan 5 en niet verder terug dan 1 worden gedraaid. Probeer niet de knop met geweld voorbij 5 of 1 te draaien, aangezien de snelheidsregeling dan niet meer juist zal werken.

De gereedschappen die voorzien zijn van de elektronische functie, zijn gemakkelijk te bedienen omwille van de volgende kenmerken.

Constance snelheidsregeling

De elektronische snelheidsregeling zorgt voor een constante snelheid. U kunt fijn afwerken, aangezien de draaisnelheid ook tijdens belast gebruik constant wordt gehouden.

Zacht starten

De schok bij het starten wordt onderdrukt, zodat het gereedschap veilig en zacht start.

Aanzetten van de lampen

Alleen voor 4350FCT

LET OP:

- Kijk niet direct in het licht of de lichtbron.

Druk de trekker in om de lamp aan te zetten. Laat de trekker los om de lamp uit te doen.

OPMERKING:

- Gebruik een droge doek om vuil op de lamplens eraf te vegen. Let op dat u geen krassen maakt op de lamplens, aangezien de verlichtingssterkte daardoor zal verminderen.

INEENZETTEN

LET OP:

- Zorg altijd dat het gereedschap is uitgeschakeld en niet op een stopcontact is aangesloten alvorens enig werk aan het gereedschap uit te voeren.

Installeren of verwijderen van het zaagblad (Fig. 4, 5 en 6)

LET OP:

- Verwijder altijd alle spaanders of verontreinigingen van het zaagblad en/of de zaagbladhouder. Als u dit verzuimt, bestaat er kans dat het zaagblad niet goed vastgezet zal zijn, hetgeen ernstige verwonding kan veroorzaken.
- Raak het zaagblad of het werkstuk niet aan onmiddellijk na het gebruik; deze kunnen gloeiend heet zijn en brandwonden veroorzaken.
- Zet het zaagblad goed vast, omdat er anders gevaar is voor ernstige verwonding.
- Wees bij het verwijderen van het zaagblad voorzichtig dat u uw vingers niet verwondt aan de bovenkant van het zaagblad of de werkstukspaanders.

Om het zaagblad aan te brengen, opent u de gereedschapsopener tot de stand aangegeven in de afbeelding. (Fig. 4)

Houd de opener in die positie en steek het zaagblad zo ver in de zaagbladklem dat de twee uitsteeksels van het zaagblad niet meer zichtbaar zijn. (Fig. 5)

Breng de gereedschapsopener terug naar zijn oorspronkelijke positie.

Nadat het zaagblad geïnstalleerd is, moet u er even aan trekken om te controleren of het goed vast zit.

LET OP:

- Open de gereedschapsopener niet te ver, omdat het gereedschap daardoor beschadigd kan raken.

Om het zaagblad te verwijderen, opent u de gereedschapsopener tot de stand aangegeven in de afbeelding. Trek het zaagblad eruit in de richting van de gereedschapsvoet. (Fig. 6)

OPMERKING:

- Smeer regelmatig de rol.

Opbergplaats voor de inbussleutel (Fig. 7)

Wanneer u de inbussleutel niet gebruikt, kunt u hem hier handig opbergen.

BEDIENING

LET OP:

- Houd het gereedschap stevig vast met één hand aan de hoofdhandgreep tijdens het gebruik van het gereedschap. Zonodig kan de voorkant van het gereedschap worden ondersteund met de andere hand.
- Houd de voet van het gereedschap altijd vlak met het werkstuk. Als u dit niet doet, kan het zaagblad breken, hetgeen ernstige verwonding kan veroorzaken.

Schakel het gereedschap in en wacht totdat het zaagblad op volle toeren draait. Plaats dan de voet van het gereedschap vlak op het werkstuk en beweeg het gereedschap langzaam naar voren langs de van te voren op het werkstuk aangebrachte zaaglijn. Voor het zagen van bochten dient het gereedschap zeer langzaam naar voren te worden bewogen. (Fig. 8)

Zagen onder een schuine hoek

LET OP:

- Zorg er altijd voor dat het gereedschap is uitgeschakeld en het netsnoer uit het stopcontact is verwijderd, alvorens de voet van het gereedschap schuin te zetten.

Door de gereedschapsvoet schuin te zetten kunt u schuin zagen bij een willekeurige hoek tussen 0° en 45° (links of rechts). (Fig. 9)

Draai met de inbussleutel de bout aan de achterkant van de voet los. Beweeg de voet zodat de bout vlak in het midden van de schuine sleuf in de voet komt te zitten. (Fig. 10)

Kantel de gereedschapsvoet om de gewenste schuine hoek te krijgen. De V-inkeping in het tandwielhuis geeft de schuine hoek in schaalverdelingen aan. Draai daarna de bout vast om de voet vast te zetten. (Fig. 11)

Zagen tot helemaal tegen de kant (Fig. 12)

Draai met de inbussleutel de bout aan de achterkant van de voet los en schuif de voet helemaal naar achteren. Draai daarna de bout vast om de voet vast te zetten.

Figuren uitzagen

Voor het uitzagen van figuren kunt u methode A of B gebruiken.

A) Voorboren van een startgaatje:

Om figuren onmiddellijk in het midden van het werkstuk uit te zagen, en dus niet vanaf de rand, dient u eerst een startgaatje met een diameter naar 12 mm of meer te boren. Steek het zaagblad door dit gaatje en begin dan met te zagen. (Fig. 13)

B) Invalzagen:

U hoeft geen startgaatje te boren of geen geleidestede te maken indien u voorzichtig als volgt te werk gaat.

1. Houd het gereedschap schuin voorover door alleen het voorste gedeelte van de voet op het werkstuk te laten rusten, met de punt van het zaagblad net boven het werkstukoppervlak. (Fig. 14)
2. Oefen een beetje druk uit op het gereedschap om te voorkomen dat de voorrand van de voet kan bewegen, en schakel het gereedschap in. Laat het achterste van het gereedschap langzaam zakken.
3. Naarmate het zaagblad door het werkstuk heen zaagt, laat u de voet van het gereedschap langzaam op het werkstukoppervlak zakken.
4. Zaag verder op de normale manier.

Afwerken van de randen (Fig. 15)

Voor het afwerken van randen of voor nauwkeurig op maat zagen, laat u het zaagblad lichtjes langs de gezaagde randen lopen.

Zagen van metaal

Voor het zagen van metaal dient u altijd een geschikt koelmiddel (snijolie) te gebruiken. Wanneer u dit niet doet, zal het zaagblad snel slijten. In plaats van een koelmiddel te gebruiken, kunt u ook de onderkant van het werkstuk invetten.

Stofzuigling

Gebruik bij voorkeur het stofzuigmondstuk (accessoire) om schoner te kunnen werken.

Om het stofzuigmondstuk op het gereedschap te monteren, steekt u de haak van het stofzuigmondstuk in het gat in de gereedschapsvoet. (Fig. 16 en 17)

Het stofzuigmondstuk kan aan de linker of rechter zijde van de voet worden geïnstalleerd.

Sluit daarna een Makita stofzuiger aan op het stofzuigmondstuk. (Fig. 18)

LET OP:

- Probeer niet om het stofzuigmondstuk met geweld te verwijderen. Als u dit doet, kan de haak van het stofzuigmondstuk verzwakken zodat hij tijdens de bediening ongewild loskomt.

Breedtegeleider-set (optioneel accessoire)

LET OP:

- Zorg er altijd voor dat het gereedschap is uitgeschakeld en het netsnoer uit het stopcontact is verwijderd, alvorens accessoires te installeren of te verwijderen.

1) Rechte stukken zagen (Fig. 19 en 20)

Wanneer u herhaaldelijk stukken die 160 mm of minder breed zijn wilt zagen, kunt u snel rechte en schone sneden krijgen door de breedtegeleider te gebruiken. Om de breedtegeleider te installeren, steekt u deze met zijn geleider naar beneden gericht door de rechthoekige opening op de zijkant van de gereedschapsvoet. Schuif de breedtegeleider naar de positie van de gewenste breedte, en draai dan de bout vast om hem vast te zetten.

2) Cirkels en bogen zagen (Fig. 21 en 22)

Wanneer u cirkels of bogen met een straal van 170 mm of minder wilt zagen, dient u de breedtegeleider als volgt te installeren.

Steek de breedtegeleider met zijn geleider naar boven gericht door de rechthoekige opening op de zijkant van de gereedschapsvoet. Steek de pin van de cirkelgeleider door een van de twee gaatjes in de geleider. Zet de pin vast door de schroefknop erop te schroeven.

Schuif nu de breedtegeleider naar de positie van de gewenste straal, en zet deze vast door de bout vast te draaien. Schuif daarna de voet van het gereedschap helemaal naar voren.

OPMERKING:

- Gebruik altijd zaagbladen Nr. B-17, B-18, B-26 of B-27 wanneer u cirkels of bogen wilt zagen.

Geleiderailadapter-set (accessoire)

Wanneer u evenwijdige stukken van gelijke breedte wilt zagen of recht wilt zagen, kunt u snel en schoon zagen door de geleiderail en de geleiderailadapter te gebruiken. (Fig. 23)

Om de geleiderailadapter te installeren, steekt u de lineaalstaaf zo ver mogelijk in de vierkante opening in de gereedschapsvoet. Draai de bout goed vast met de inbussleutel. (Fig. 24)

Monteer de geleiderailadapter op de rail van de geleiderail. Steek de lineaalstaaf in de vierkante opening in de geleiderailadapter. Plaats de gereedschapsvoet tegen de zijkant van de geleiderail en draai de bout stevig vast. (Fig. 25)

LET OP:

- Gebruik altijd de zaagbladen Nr. B-8, B-13, B-16, B-17 of 58 wanneer u de geleiderail en de geleiderailadapter wilt gebruiken.

Dekplaat (Fig. 26)

Gebruik de dekplaat wanneer u decoratiefineerhout, kunststof e.d. zaagt. Deze plaat beschermt gevoelige of tere oppervlakken tegen beschadiging. Bevestig de plaat op de onderzijde van de gereedschapsvoet.

Antisplinterinrichting (Fig. 27)

Om splintervrije zaagsneden te krijgen, kunt u de anti-splinterinrichting gebruiken. Om deze te installeren, schuift u de gereedschapsvoet helemaal naar voren en dan bevestigt u de inrichting vanaf de onderzijde van de voet. Wanneer u de dekplaat gebruikt, installeert u de anti-splinterinrichting op de dekplaat.

LET OP:

- De anti-splinterinrichting kan niet gebruikt worden voor zagen onder een schuine hoek.

ONDERHOUD

LET OP:

- Zorg altijd dat het gereedschap is uitgeschakeld en zijn stekker uit het stopcontact is verwijderd alvorens te beginnen met inspectie of onderhoud.

Om de VEILIGHEID en BETROUWBAARHEID van het gereedschap te verzekeren, dienen alle reparaties, inspectie en vervanging van koolborstels, en alle andere onderhoudswerkzaamheden of afstellingen te worden uitgevoerd door een erkend Makita servicecentrum, en dit uitsluitend met gebruik van originele Makita vervangingsonderdelen.

ACCESSOIRES

LET OP:

- Deze accessoires of hulpstukken worden aanbevolen voor gebruik met het Makita gereedschap dat in deze gebruiksaanwijzing is beschreven. Bij gebruik van andere accessoires of hulpstukken bestaat er gevaar voor persoonlijke verwonding. Gebruik de accessoires of hulpstukken uitsluitend voor hun bestemd doel.

Wenst u meer bijzonderheden over deze accessoires, neem dan contact op met het plaatselijke Makita servicecentrum.

- Figuurzaagblad
- Inbussleutel 4
- Breedtegeleider-set (trekgeleider-set)
- Geleiderailadapter
- Geleiderail
- Antisplinterinrichting
- Stofzuigmondstuk
- Dekplaat
- Slang (Voor stofzuiger)

Explicación de los dibujos

1 Palanca de cambio de la acción de corte	10 Llave hexagonal	21 Guía lateral
2 Gatillo interruptor	11 Línea de corte	22 Perilla roscada
3 Botón de seguro	12 Perno	23 Pasador para la guía circular
4 Control de regulación de la velocidad	13 Graduación	24 Regla
5 Abridor de la herramienta	14 Ranura de bisel	25 Tornillo
6 Mordaza para sierra	15 Alojamiento de engranajes	26 Adaptador para carril de guía
7 Hoja de sierra de calar	16 Muesca en V	27 Carril de guía
8 Protusiones	17 Agujero de inicio	28 Placa de rozamiento
9 Base	18 Tubo de aspiración	29 Dispositivo antiastillas
	19 Manguera para aspirador	
	20 Guía de apoyo	

ESPECIFICACIONES

Modelo	4350T	4350CT	4350FCT
Longitud de carrera	26 mm	26 mm	26 mm
Capacidad máxima de corte			
Madera	135 mm	135 mm	135 mm
Acero	10 mm	10 mm	10 mm
Aluminio.....	20 mm	20 mm	20 mm
Carreras por minuto (min ⁻¹)	2.800	800 – 2.800	800 – 2.800
Longitud total.....	236 mm	236 mm	236 mm
Peso neto	2,6 kg	2,6 kg	2,6 kg
Clase de seguridad	□ /II	□ /II	□ /II

- Debido a un programa continuo de investigación y desarrollo, las especificaciones aquí dadas están sujetas a cambios sin previo aviso.
- Las especificaciones pueden ser diferentes de país a país.
- Peso de acuerdo con el procedimiento EPTA 01/2003

Uso previsto

La herramienta ha sido prevista para serrar madera, plástico y materiales metálicos. Gracias a la variedad de accesorios y tipos de sierras para diversos usos existentes, la herramienta puede utilizarse para muchas tareas y es muy apropiada para cortes curvados y circulares.

Alimentación

La herramienta ha de conectarse solamente a una fuente de alimentación de la misma tensión que la indicada en la placa de características, y sólo puede funcionar con corriente alterna monofásica. El sistema de doble aislamiento de la herramienta cumple con la norma europea y puede, por lo tanto, usarse también en enchufes hembra sin conductor de tierra.

Sugerencias de seguridad

Para su propia seguridad, consulte las instrucciones de seguridad incluidas.

NORMAS DE SEGURIDAD ESPECÍFICAS

NO deje que la comodidad o familiaridad con el producto (a base de utilizarlo repetidamente) sustituya la estricta observancia de las normas de seguridad para la sierra caladora. Si utiliza esta herramienta eléctrica de forma no segura o incorrecta, podrá sufrir graves heridas personales.

1. Cuando realice una operación en la que el accesorio de corte pueda entrar en contacto con cableado oculto o con su propio cable, sujete las herramientas eléctricas por las superficies de aislamiento aisladas. El contacto del accesorio de corte con un cable con corriente hará que la corriente circule por las partes metálicas expuestas de la herramienta eléctrica y podrá soltar una descarga eléctrica al operario.
2. Utilice mordazas u otros medios de sujeción prácticos para sujetar y apoyar la pieza de trabajo en una plataforma estable. Sujetada con la mano o contra su cuerpo, la pieza de trabajo estará inestable y podrá ocasionar la pérdida del control.
3. Utilice siempre gafas de seguridad o pantalla facial. Las gafas normales o de sol NO sirven para proteger los ojos.
4. Evite cortar clavos. Inspeccione la pieza de trabajo y extraiga todos los clavos antes de efectuar el corte.
5. No corte una pieza de trabajo de gran tamaño.
6. Verifique que haya espacio suficiente por detrás de la pieza de trabajo antes de empezar a cortar, de forma que la hoja de sierra no golpee contra el suelo, el banco de trabajo, etc.
7. Sostenga la herramienta firmemente.
8. Asegúrese de que la cuchilla no esté haciendo contacto con la pieza de trabajo antes de que se conecte el interruptor.
9. Mantenga las manos alejadas de las piezas móviles.
10. No deje la herramienta funcionando. Opere la herramienta solamente cuando la esté sosteniendo con las manos.

11. Cuando desconecte la herramienta, espere siempre a que la cuchilla se detenga completamente antes de separar la cuchilla de la pieza de trabajo.
12. No toque la cuchilla ni la pieza de trabajo inmediatamente después de la operación; puede que estén extremadamente calientes y le produzcan quemaduras en la piel.
13. No haga funcionar la herramienta sin carga innecesariamente.
14. Algunos materiales contienen sustancias químicas que podrán ser tóxicas. Tenga precaución para evitar la inhalación de polvo y el contacto con la piel. Siga los datos de seguridad del abastecedor del material.

15. Utilice siempre la mascarilla contra el polvo o el respirador correcto para el material con que esté trabajando y la aplicación que realice.

GUARDE ESTAS INSTRUCCIONES.

ADVERTENCIA:

El MAL USO o el no seguir las normas de seguridad establecidas en este manual de instrucciones podrá ocasionar graves heridas personales.

DESCRIPCIÓN FUNCIONAL

PRECAUCIÓN:

- Cerciórese siempre de que la herramienta está apagada y desenchufada antes de ajustar la herramienta o comprobar alguna de sus funciones.

Selección de la acción de corte (Fig. 1)

Este herramienta se puede utilizar con una acción de corte orbital o de línea recta. (hacia arriba y hacia abajo). La acción de corte orbital empuja hacia delante a la hoja de sierra en el recorrido de corte y aumenta notablemente la velocidad de corte.

Para cambiar la acción de corte, no tiene más que girar la palanca de cambio de la acción de corte hasta la posición de acción de corte deseada.

Consulte la tabla para seleccionar el modo de corte apropiado.

Posición	Acción de corte	Aplicaciones
0	Acción de corte de línea recta	Para cortar acero blando, acero inoxidable y plásticos. Para cortar limpiamente madera y contrachapado.
I	Acción de corte con pequeña órbita	Para cortar acero blando, aluminio y madera dura.
II	Acción de corte con mediana órbita	Para cortar madera y contrachapado. Para cortar rápidamente aluminio y acero blando.
III	Acción de corte con gran órbita	Para cortar rápidamente madera y contrachapado.

Accionamiento del interruptor (Fig. 2)

PRECAUCIÓN:

- Antes de enchufar la herramienta, compruebe siempre que el gatillo interruptor se acciona correctamente y que vuelve a la posición "OFF" cuando lo suelta.

Para poner en marcha la herramienta, apriete simplemente el gatillo. Para pararla, suelte el gatillo.

Para operación continua, apriete el gatillo y luego empuje hacia adentro el botón de bloqueo.

Para parar la herramienta estando bloqueada en operación continua, presione completamente el gatillo y luego suéltelo.

Control de regulación de la velocidad (Fig. 3)

Para 4350CT, 4350FCT

La velocidad de la herramienta puede ajustarse en infinitas posiciones entre 800 y 2.800 carreras por minuto girando el control de regulación de velocidad. Para aumentar la velocidad, gire el control en la dirección del número 5 y, para reducirla, gírelo en la dirección del número 1.

Consulte la tabla para seleccionar la velocidad apropiada para la pieza de trabajo que vaya a cortar. Sin embargo, la velocidad apropiada podrá variar de acuerdo con el tipo o grosor de la pieza de trabajo. En general, a velocidades altas podrá cortar las piezas de trabajo más rápidamente, pero la vida útil de la hoja de sierra se acortará.

Pieza de trabajo a cortar	Número en el control de regulación
Madera	4 – 5
Acero suave	3 – 5
Acero inoxidable	3 – 4
Aluminio	3 – 5
Plásticos	1 – 4

PRECAUCIÓN:

- El control de regulación de la velocidad solamente se puede girar hasta el número 5 y retroceder hasta el 1. No intente forzarlo más allá del 5 o del 1, porque podría estropearlo.

Las herramientas provistas de función electrónica son fáciles de utilizar gracias a las siguientes funciones.

Velocidad constante controlada

Control de velocidad electrónico para obtener una velocidad constante. Permite lograr unos acabados finos porque la velocidad de giro se mantiene constante incluso en condición de carga.

Función de inicio suave

Seguridad e inicio suave gracias a la supresión del golpe de arranque inicial.

Encendido de las lámparas

Para 4350FACT solamente

PRECAUCIÓN:

- No mire a la luz ni vea la fuente de luz directamente.

Para encender la lámpara, apriete el gatillo. Suelte el gatillo para apagarla.

NOTA:

- Utilice un paño seco para quitar la suciedad de la lente de la lámpara. Tenga cuidado de no rayar la lente de la lámpara, porque podrá disminuir la iluminación.

MONTAJE

PRECAUCIÓN:

- Cerciórese siempre de que la herramienta está apagada y desenchufada antes de realizar cualquier trabajo en ella.

Instalación o extracción de la hoja de sierra (Fig. 4, 5 y 6)

PRECAUCIÓN:

- Limpie siempre todas las virutas o materias extrañas adheridas a la hoja de sierra y/o al portahoja de sierra. Si no lo hace así, podrá dar lugar a un apriete insuficiente de la hoja de sierra con el posible riesgo de sufrir lesiones graves.
- No toque la hoja de sierra ni la pieza de trabajo inmediatamente después la tarea de corte; podrían estar muy calientes y producirle quemaduras de piel.
- Apriete la hoja de sierra firmemente. El no hacerlo podrá acarrear heridas de gravedad.
- Cuando vaya a desmontar la sierra, tenga cuidado de no lastimarse los dedos con la punta de la sierra o las rebabas de la pieza de trabajo.

Para instalar la hoja de sierra, abra el abridor de la herramienta hasta la posición mostrada en la figura. (Fig. 4)

En esa posición, introduzca la hoja de sierra en la mordaza para sierra hasta que los dos salientes de la sierra dejen de verse. (Fig. 5)

Vuelva a poner el abridor de la herramienta en su posición original.

Después de instalar la hoja de sierra, asegúrese siempre de que la hoja esté firmemente sujeta en su sitio intentando sacarla con la mano.

PRECAUCIÓN:

- No abra el abridor de la herramienta excesivamente, porque podría dañar la herramienta.

Para quitar la hoja de sierra, abra el abridor de la herramienta hasta la posición mostrada en la figura. Tire de la hoja de sierra hacia la base para sacarla. (Fig. 6)

NOTA:

- Lubrique el rodillo de vez en cuando.

Para guardar la llave hexagonal (Fig. 7)

Cuando no se está utilizando, la llave hexagonal se puede guardar cómodamente.

FUNCIONAMIENTO

PRECAUCIÓN:

- Sujete al herramienta firmemente con una mano en el mango principal cuando utilice la herramienta. Si es necesario, puede sostener la parte delantera de la herramienta con la otra mano.

- Sujete siempre la base de la herramienta plana contra la pieza de trabajo. En caso contrario, la hoja de sierra podrá romperse, y ocasionarle graves lesiones.

Ponga en marcha la herramienta y espere hasta que la hoja de sierra adquiera velocidad completa. Luego apoye la base de la herramienta plana sobre la pieza de trabajo y desplace suavemente la herramienta hacia delante siguiendo la línea de corte marcada previamente. Cuando corte curvas, avance la herramienta muy lentamente. (Fig. 8)

Corte en bisel

PRECAUCIÓN:

- Asegúrese siempre de que la herramienta esté apagada y desenchufada antes de inclinar la base de la herramienta.

Inclinando la base, podrá hacer cortes en bisel a cualquier ángulo comprendido entre 0° y 45° (izquierdo o derecho). (Fig. 9)

Afloje el perno de la parte posterior de la base con la llave hexagonal. Mueva la base de forma que el perno quede posicionado en el centro de la ranura de bisel de la base. (Fig. 10)

Incline la base hasta obtener el ángulo de bisel deseado. La muesca en V del alojamiento de engranajes indica el ángulo de bisel en graduaciones. Después apriete firmemente el perno para sujetar la base. (Fig. 11)

Cortes con tope en la parte delantera (Fig. 12)

Afloje el perno que hay en la parte posterior de la base de la herramienta con la llave hexagonal, y mueva la base de la herramienta completamente hacia atrás. Luego apriete el perno para sujetar la base de la herramienta.

Corte de aberturas

Los cortes de aberturas pueden realizarse con cualquiera de los dos métodos A o B.

A) Perforando un agujero de arranque:

Para hacer una abertura interna sin un corte de arranque desde el borde, perforo un agujero de inicio de 12 mm o más de diámetro. Inserte la hoja de sierra en este agujero para iniciar la abertura. (Fig. 13)

B) Corte calado:

Si realiza lo siguiente con cuidado, no necesitará perforar un agujero de arranque o hacer un corte desde el borde.

1. Incline la herramienta hacia delante sobre el borde delantero de la base, con la punta de la hoja de sierra situada justo por encima de la superficie de la pieza de trabajo. (Fig. 14)
2. Aplique presión sobre la herramienta para que el borde delantero de la base no se mueva cuando ponga en marcha la herramienta y baje con cuidado gradualmente la parte posterior de la herramienta.
3. Según la hoja de sierra vaya penetrando en la pieza de trabajo, baje gradualmente la base de la herramienta hasta la superficie de la pieza de trabajo.
4. Complete el corte de manera normal.

Suavizamiento de bordes (Fig. 15)

Para suavizar bordes o hacer ajustes dimensionales, pase la hoja de sierra a lo largo de bordes cortados.

Corte de metales

Utilice siempre un refrigerante adecuado (aceite de corte) cuando corte metales. Si no lo utiliza la hoja de sierra se desgastará considerablemente. En lugar de utilizar un refrigerante puede engrasar la parte inferior de la pieza de trabajo.

Extracción de polvo

Se recomienda utilizar el tubo de aspiración (accesorio) para realizar operaciones de corte limpias.

Para colocar el tubo de aspiración en la herramienta, inserte el gancho del tubo de aspiración en el agujero de la base. (Fig. 16 y 17)

El tubo de aspiración se puede colocar bien en el lado derecho o bien en el izquierdo.

Después conecte un aspirador Makita al tubo de aspiración. (Fig. 18)

PRECAUCIÓN:

- Si intenta retirar a la fuerza el tubo de aspiración su gancho se reducirá y podrá soltarse sin querer durante el funcionamiento.

Conjunto de guía de apoyo (accesorio opcional)

PRECAUCIÓN:

- Asegúrese siempre de que la herramienta esté apagada y desenchufada antes de instalar o desmontar accesorios.

1) Cortes rectos (Fig. 19 y 20)

Cuando haga cortes repetidos de 160 mm o menos de anchura, el empleo de la guía de apoyo asegurará unos cortes rápidos, limpios y rectos. Para instalarla, inserte la guía de apoyo en el orificio rectangular situado en el costado de la base de la herramienta con la guía lateral mirando hacia abajo. Deslice la guía de apoyo hasta la posición que le ofrezca la anchura de corte deseada, luego apriete el perno para sujetarla.

2) Cortes circulares (Fig. 21 y 22)

Cuando corte círculos o arcos de 170 mm o menos de radio, instale la guía de apoyo de la siguiente forma.

Inserte la guía de apoyo en el orificio rectangular situado en el costado de la base de la herramienta con la guía lateral mirando hacia arriba. Inserte el pasador de la guía circular en uno de los dos orificios de la guía lateral. Rosque la perilla roscada en el pasador para sujetar el pasador.

Ahora deslice la guía de apoyo hasta el radio de corte deseado, y apriete el perno para sujetarla en esa posición. Luego mueva la base de la herramienta completamente hacia delante.

NOTA:

- Cuando corte círculos o arcos, utilice siempre hojas de corte N.º B-17, B-18, B-26 o B-27.

Conjunto de adaptador para Carril de Guía (accesorio)

Al hacer cortes paralelos y de anchura uniforme o cortes rectos, el uso del carril de guía y del adaptador para carril de guía asegurará la obtención de cortes rápidos y limpios. (Fig. 23)

Para instalar el adaptador para carril de guía, inserte la regla a fondo en el agujero cuadrado de la base. Apriete el perno firmemente con la llave hexagonal. (Fig. 24)

Instale el adaptador para carril de guía en el carril del carril de guía. Inserte la regla en el agujero cuadrado del adaptador para carril de guía. Ponga la base en el costado del carril de guía y apriete el perno firmemente. (Fig. 25)

PRECAUCIÓN:

- Utilice siempre hojas de sierra N.º B-8, B-13, B-16, B-17 ó 58 cuando utilice el carril de guía y el adaptador para carril de guía.

Placa de rozamiento (Fig. 26)

Utilice la placa de rozamiento cuando corte chapas de revestimiento decorativas, plásticos, etc. Proteja las superficies sensibles o delicadas contra daños. Encájela en la parte posterior de la base de la herramienta.

Dispositivo anti-astillas (Fig. 27)

Para cortes sin astillas, se puede utilizar el dispositivo anti-astillas. Para instalar el dispositivo anti-astillas, mueva la base de la herramienta hacia delante a tope y encájelo en la parte posterior de la base de la herramienta. Cuando utilice la placa de rozamiento, instale el dispositivo anti-astillas en la placa de rozamiento.

PRECAUCIÓN:

- Cuando haga cortes en bisel no podrá utilizar el dispositivo antiastillas.

MANTENIMIENTO

PRECAUCIÓN:

- Asegúrese siempre de que la herramienta esté apagada y desenchufada antes de intentar realizar una inspección o mantenimiento.

Para mantener la SEGURIDAD y FIABILIDAD del producto, las reparaciones, la inspección y sustitución de las escobillas de carbón, y cualquier otro mantenimiento o ajuste deberán ser realizados en Centros o Servicios Autorizados por Makita, empleando siempre piezas de repuesto de Makita.

ACCESORIOS

PRECAUCIÓN:

- Estos accesorios o acoplamientos están recomendados para utilizar con su herramienta Makita especificada en este manual. El empleo de cualesquiera otros accesorios o acoplamientos conllevará un riesgo de sufrir heridas personales. Utilice los accesorios o acoplamientos solamente para su fin establecido.

Si necesita cualquier ayuda para más detalles en relación con estos accesorios, pregunte a su centro de servicio Makita local.

- Hoja de sierra de calar
- Llave hexagonal 4
- Conjunto de guía de apoyo (regla guía)
- Conjunto de adaptador para carril de guía
- Conjunto de carril de guía
- Dispositivo antiastillas
- Tubo de aspiración
- Placa de rozamiento
- Manguera (Para aspirador)

Explicação geral

1 Alavanca de mudança da acção de corte	11 Linha de corte	22 Botão roscado
2 Gatilho de interruptor	12 Perno	23 Haste para a guia circular
3 Botão de bloqueio	13 Graduações	24 Barra régua
4 Marcador de regulação de velocidade	14 Calha de bisel	25 Parafuso
5 Abridor da ferramenta	15 Caixa do motor	26 Adaptador de carril de guia
6 Suporte da lâmina	16 Ranhura em V	27 Carril de guia
7 Lâmina da serra de vaivém	17 Orifício de início	28 Placa de cobertura
8 Protuberância	18 Bocal do pó	29 Mecanismo de anti-fragmentação
9 Base	20 Vedação para escarificação	
10 Chave hexagonal	21 Vedação guia	

ESPECIFICAÇÕES

Modelo	4350T	4350CT	4350FCT
Comprimento do corte	26 mm	26 mm	26 mm
Capacidade máxima de corte			
Madeira	135 mm	135 mm	135 mm
Aço	10 mm	10 mm	10 mm
Alumínio	20 mm	20 mm	20 mm
Cortes por minutos (min ⁻¹)	2.800	800 – 2.800	800 – 2.800
Comprimento total	236 mm	236 mm	236 mm
Peso líquido	2,6 kg	2,6 kg	2,6 kg
Classe de segurança.....	□ /II	□ /II	□ /II

- Devido a um programa contínuo de pesquisa e desenvolvimento, estas especificações podem ser alteradas sem aviso prévio.
- As especificações podem variar de país para país.
- Peso de acordo com o Procedimento 01/2003 da EPTA (European Power Tool Association)

Utilização pretendida

A ferramenta foi concebida para a serragem de madeira, plásticos e materiais metálicos. Como resultado dos imensos acessórios e dos programas da lâmina da serra, a ferramenta pode ser utilizada para muitos fins e é adequada para cortes curvos ou circulares.

Alimentação

A ferramenta só deve ser ligada a uma fonte de alimentação com a mesma voltagem da indicada na placa de características, e só funciona com alimentação CA monofásica. Tem um sistema de isolamento duplo de acordo com as normas europeias e pode, por isso, utilizar tomadas sem ligação à terra.

Conselhos de segurança

Para sua segurança, leia as instruções anexas.

REGRAS DE SEGURANÇA ESPECÍFICAS

NÃO permita que conforto ou familiaridade com o produto (adquirido com o uso repetido) substituam aderência às regras de segurança da serra de vaivém. Se utilizar esta ferramenta eléctrica sem segurança ou incorrectamente, pode sofrer danos pessoais graves.

1. **Agarre na ferramenta eléctrica pelos punhos isolados ao realizar uma operação onde o acessório de corte possa tocar em fios eléctricos escondidos ou no seu próprio fio.** O contacto do acessório de corte com um fio "ligado" poderá carregar as partes metálicas da ferramenta e causar choque eléctrico no operador.
2. **Utilize grampos ou qualquer outra maneira prática para prender e suportar a peça de trabalho numa plataforma estável.** Pegar na peça de trabalho com a mão ou contra o seu corpo torna-a instável e pode perder o controlo.
3. **Use sempre óculos de segurança ou de protecção.** Oculos normais ou de sol **NÃO** são óculos de segurança.
4. **Evite cortar pregos.** Inspeccione a peça de trabalho antes da operação e retire quaisquer pregos que existam.
5. **Não corte uma superfície de grandes dimensões.**
6. **Verifique antes do corte se tem a folga correcta abaixo da peça de trabalho de modo a que a lâmina não bata no chão, bancada, etc.**
7. **Segure a ferramenta com firmeza.**
8. **Certifique-se de que a lâmina não está em contacto com a superfície de trabalho antes de ligar o interruptor.**
9. **Afaste as mãos das partes em movimento.**
10. **Nunca deixe a ferramenta a funcionar sozinha.** Trabalhe com ela apenas quando puder segurá-la com as mãos.
11. **Quando desligar a ferramenta, aguarde sempre até a lâmina estar completamente parada antes de a retirar da superfície de trabalho.**
12. **Não toque na lâmina nem na superfície de trabalho logo após a operação;** podem estar muito quentes e provocar queimaduras.
13. **Não funcione desnecessariamente com a ferramenta sem carga.**
14. **Alguns materiais contêm químicos que podem ser tóxicos.** Tenha cuidado para evitar inalação de pó e contacto com a pele. Siga o dados de segurança do fornecedor do material.

15. Use sempre a máscara para o pó/respirador apropriado para o material e aplicação com que está a trabalhar.

AVISO:
MÁ INTERPRETAÇÃO ou não seguimento das regras de segurança estabelecidas neste manual de instruções pode causar danos pessoais sérios.

GUARDE ESTAS INSTRUÇÕES.

DESCRIÇÃO DO FUNCIONAMENTO

PRECAUÇÃO:

- Antes de efectuar qualquer inspecção ou ajuste na ferramenta, verifique sempre se desligou a ferramenta e retirou a ficha da tomada de corrente .

Seleção da acção de corte (Fig. 1)

Esta ferramenta pode funcionar com uma acção de corte de linha orbital ou direita (para cima e para baixo). A acção de corte orbital empurra a lâmina para a frente na pancada de corte e aumenta grandemente a velocidade de corte. Para mudar a acção de corte, rode simplesmente a alavanca de mudança de acção de corte para a posição da acção de corte desejada.

Refira-se à tabela para seleccionar a acção de corte apropriada.

Posição	Acção de corte	Aplicações
0	Acção de corte de linha direita	Para cortes em aço macio, aço inoxidável e plástico. Para cortes limpos em madeira e contraplacado.
I	Acção de corte de órbita pequena	Para cortar aço médio, alumínio e madeira dura.
II	Acção de corte de órbita média	Para cortar madeira e contraplacado. Para cortes rápidos em alumínio e aço mole.
III	Acção de corte de órbita larga	Para cortes rápidos em madeira e contraplacado.

Acção do interruptor (Fig. 2)

PRECAUÇÃO:

- Antes de ligar a ferramenta à corrente, certifique-se sempre de que o gatilho funciona correctamente e volta para a posição "OFF" quando libertado.

Para ligar a ferramenta carregue simplesmente no gatilho. Liberte o gatilho para parar.

Para funcionamento contínuo, carregue no gatilho e em seguida empurre o botão de bloqueio.

Para parar a ferramenta na posição de bloqueio, carregue no gatilho completamente e em seguida liberte-o.

Marcador de regulação de velocidade (Fig. 3)

Para 4350CT, 4350FCT

A velocidade da ferramenta pode ser regulada infinitamente entre 800 e 2.800 cortes por minuto rodando o marcador de regulação. Obtém maior velocidade quando roda o marcador na direcção do número 5; obtém menor velocidade quando o roda na direcção do número 1.

Refira-se à tabela para seleccionar a velocidade adequada para a peça a cortar. No entanto, a velocidade apropriada pode ser diferente conforme a espessura da peça de trabalho. Em geral, maior velocidade permite o corte mais rápido de peças mas a vida útil da lâmina será reduzida.

Peça a ser cortada	Número no marcador de regulação
Madeira	4 – 5
Aço macio	3 – 5
Aço inoxidável	3 – 4
Alumínio	3 – 5
Pásticos	1 – 4

PRECAUÇÃO:

- O marcador de regulação de velocidade só pode ser rodado até ao 5 e ao 1. Não o force para ultrapassar o 5 ou o 1, ou a função de regulação de velocidade poderá ficar estragada.

As ferramentas equipadas com função electrónica são fáceis de operar porque estão equipadas com as seguintes funções.

Controle de velocidade constante

Controle de velocidade electrónico para obter velocidade constante. É possível obter um acabamento excelente, pois a velocidade de rotação mantém-se constante mesmo sob condições de carga.

Função de início suave

Segurança e início suave devido à supressão do choque inicial.

Lâmpadas acesas

Só para 4350FCT

PRECAUÇÃO:

- Não olhe para a luz ou veja a fonte de luz directamente.

Para ligar a lâmpada, carregue no gatilho. Liberte o gatilho para desligar.

NOTA:

- Utilize um pano seco para retirar a sujidade das lentes da lâmpada. Tenha cuidado para não riscar as lentes da lâmpada ou pode diminuir a iluminação.

MONTAGEM

PRECAUÇÃO:

- Antes de efectuar qualquer inspecção ou manutenção na ferramenta, desligue sempre a ferramenta e retire a ficha da tomada de corrente.

Colocar ou retirar a lâmina da serra (Fig. 4, 5 e 6)

PRECAUÇÃO:

- Limpe sempre todas as partículas e matérias estranhas aderentes à lâmina e/ou suporte da lâmina. Se não o fizer pode originar insuficiente aperto da lâmina que pode causar um acidente.
- Não toque na lâmina ou na peça de trabalho imediatamente depois da operação; podem estar extremamente quentes e pode queimar-se.
- Aperte seguramente a lâmina da serra. Se não o fizer pode causar danos sérios.
- Quando retira a lâmina da serra, tenha cuidado para não aleijar os seus dedos na parte superior da lâminas ou nas pontas da peça de trabalho.

Para instalar a lâmina, abra o abridor para a posição indicada na figura. (Fig. 4)

Mantendo essa situação, coloque a lâmina da serra no suporte da lâmina até que as duas saliências na lâmina não se vejam. (Fig. 5)

Volte a colocar o abridor da ferramenta na posição original.

Depois de instalar a lâmina da serra, certifique-se sempre de que a lâmina está bem presa no seu lugar tentando puxá-la para fora.

PRECAUÇÃO:

- Não abra excessivamente o abridor da ferramenta, ou pode estragar a ferramenta.

Para retirar a lâmina, abra o abridor para a posição indicada na figura. Puxe a lâmina da serra para fora na direcção da base. (Fig. 6)

NOTA:

- Lubrifique ocasionalmente o rolamento.

Armazenamento da chave hexagonal (Fig. 7)

Quando não estiver em utilização, a chave hexagonal pode ser convenientemente guardada.

FUNCIONAMENTO

PRECAUÇÃO:

- Agarre firmemente na ferramenta com uma mão na pega principal quando trabalhar com a ferramenta. Se necessário, a parte frontal da ferramenta pode ser suportada com a outra mão.
- Mantenha sempre a base da ferramenta nivelada com a peça de trabalho. Se assim não for pode estragar a lâmina e causar um acidente.

Ligue a ferramenta e espere até que a lâmina atinja a velocidade máxima. Em seguida assente a base da ferramenta na peça de trabalho e mova a ferramenta suavemente ao longo da linha de corte marcada anteriormente. Quando corta curvas, avance com a ferramenta muito devagar. (Fig. 8)

Cortes de esquadria

PRECAUÇÃO:

- Certifique-se sempre de que a ferramenta está desligada e a ficha retirada da tomada antes de inclinar a base da ferramenta.

Com a base da ferramenta inclinada, pode fazer cortes de bisel em qualquer ângulo entre 0° e 45° (esquerdo ou direito). (Fig. 9)

Liberte o perno na parte traseira da base com a chave hexagonal. Desloque a base de modo a que o perno esteja posicionado no centro da calha de bisel na base. (Fig. 10)

Incline a base até que obtenha o ângulo de bisel desejado. A ranhura em V da caixa do motor indica em graduações o ângulo de bisel. Em seguida aperte firmemente o perno para prender a base. (Fig. 11)

Corte de topo frontal (Fig. 12)

Liberte o perno na parte traseira da ferramenta com a chave hexagonal e em seguida mova a base da ferramenta completamente para trás. Aperte o perno para prender a base da ferramenta.

Recortes

Os recortes podem ser feitos de duas maneiras, A ou B.

A) Fazendo um orifício inicial:

Para recortes internos sem um corte de passagem na extremidade, perfure um orifício inicial com 12 mm ou mais de diâmetro. Coloque a lâmina neste orifício para iniciar o corte. (Fig. 13)

B) Corte penetrante:

Não necessita de fazer um orifício de início ou um corte de passagem se fizer cuidadosamente o que se segue.

1. Incline a ferramenta para cima na extremidade frontal da base, com a ponta da lâmina colocada mesmo acima da superfície de trabalho. (Fig. 14)
2. Aplique pressão na ferramenta de modo a que a extremidade frontal da base não se mova quando liga a ferramenta e suavemente e devagar desça a extremidade traseira da ferramenta.
3. Quando a lâmina fura a peça de trabalho, desça devagar a base da ferramenta para a superfície da peça de trabalho.
4. Acabe o corte do modo normal.

Acabamento das extremidades (Fig. 15)

Para aparar as extremidades ou fazer ajustes de dimensões, passe ligeiramente com a lâmina ao longo das extremidades do corte.

Corte de metal

Utilize sempre um lubrificante adequado (óleo de corte) quando corta metal. Caso contrário, provocará desgaste da lâmina. A parte inferior poderá ser oleada em vez de utilizar lubrificante.

Extracção do pó

Recomenda-se a utilização do bocal de pó (acessório) para executar operação de corte limpa.

Para prender o bocal de pó à ferramenta, coloque o gancho do bocal do pó no orifício na base. (Fig. 16 e 17)

O bocal do pó pode ser instalado tanto no lado esquerdo como no direito da base.

Em seguida ligue um aspirador de pó Makita ao bocal do pó. (Fig. 18)

PRECAUÇÃO:

- Se tentar retirar à força o bocal do pó, o gancho do bocal do pó pode diminuir e sair sem querer durante a operação.

Conjunto de vedações para escarificação (acessório opcional)

PRECAUÇÃO:

- Certifique-se sempre de que a ferramenta está desligada e a ficha retirada da tomada antes de colocar ou retirar acessórios.

1) Cortes rectos (Fig. 19 e 20)

Quando corta repetidamente larguras de 160 mm ou menos, a utilização da vedação para escarificação assegurará um corte mais rápido, limpo e direito. Para a instalar, coloque a vedação para escarificação no orifício rectangular no lado da base ferramenta com a vedação guia voltada para baixo. Deslize a vedação para escarificação para a posição desejada de largura do corte e em seguida aperte o perno para a prender.

2) Cortes circulares (Fig. 21 e 22)

Quando corta círculos ou arcos com 170 mm ou menos de raio, coloque a vedação para escarificação como se segue.

Coloque a vedação para escarificação no orifício rectangular no lado da base da ferramenta com a vedação guia voltada para cima. Introduza a haste para a guia circular num dos dois orifícios da vedação guia. Aparafuse o botão roscado na haste para a prender.

Em seguida deslize a vedação para escarificação para o raio de corte desejado e em seguida aperte o perno para a prender. Movimente a base da ferramenta completamente para a frente.

NOTA:

- Utilize sempre lâminas N. B-17, B-18, B-26 ou B-27 quando corta círculos ou arcos.

Conjunto de adaptador de carril de guia (acessório)

Quando corta larguras paralelas e uniformes ou corta a direito, a utilização do carril de guia e do adaptador do carril de guia assegurará a produção de cortes mais rápidos e limpos. (Fig. 23)

Para instalar o adaptador do carril de guia, insira a barra régua no orifício quadrado da base o mais fundo possível. Prenda seguramente o perno com a chave hexagonal. (Fig. 24)

Instale o adaptador do carril de guia no carril do carril de guia. Insira a barra régua no orifício quadrado do adaptador do carril de guia. Coloque a base no lado do carril de guia e aperte o perno seguramente. (Fig. 25)

PRECAUÇÃO:

- Utilize sempre as lâminas nº B-8, B-13, B-16, B-17 ou 58 quando utiliza a carril guia e o adaptador da carril guia.

Placa de cobertura (Fig. 26)

Utilize a placa de cobertura quando corta embutidos decorativos, plásticos, etc. Protege de estragos as superfícies sensíveis ou delicadas. Coloque-a na parte traseira da base da ferramenta.

Mecanismo de anti-fragmentação (Fig. 27)

Para cortes sem fragmentação, pode utilizar o mecanismo de anti-fragmentação. Para instalar o mecanismo de anti-fragmentação, desloque a base da ferramenta completamente para a frente e coloque-a na base traseira da base da ferramenta. Quando utiliza a placa de cobertura, instale o mecanismo de anti-fragmentação na placa de cobertura.

PRECAUÇÃO:

- Não pode utilizar o mecanismo de anti-fragmentação quando executa cortes de esquadria.

MANUTENÇÃO

PRECAUÇÃO:

- Certifique-se sempre de que a ferramenta está desligada e a ficha retirada da tomada antes de tentar executar qualquer inspeção ou manutenção.

Para manter a **SEGURANÇA** e **FIABILIDADE** do produto, a reparação, inspeção e substituição da escova de carvão, bem como qualquer afinação ou manutenção devem sempre ser efectuadas num centro de assistência oficial Makita, utilizando sempre peças de substituição Makita.

ACESSÓRIOS

PRECAUÇÃO:

- Estes acessórios ou peças extra são recomendadas para utilização com a sua ferramenta Makita especificada neste manual. A utilização de qualquer outros acessórios ou peças extra podem apresentar o risco de ferimentos. Só utilize os acessórios ou peças extras para o fim a que são destinados.

Se necessitar de informações adicionais relativas a estes acessórios, solicite-as ao seu centro de assistência Makita.

- Lâmina da serra de vaivém
- Chave hexagonal 4
- Conjunto de vedações para escarificação (régua guia)
- Conjunto de adaptador de carril de guia
- Conjunto de carril de guia
- Mecanismo de anti-fragmentação
- Bocal do pó
- Placa de cobertura
- Mangueira (Para o aspirador do pó)

Illustrationsoversigt

1 Savemådevælger	11 Snitlinie	21 Anlægskinne
2 Afbryderkontakt	12 Bolt	22 Kuglegreb
3 Låseknap	13 Geringsmål	23 Centrérspids
4 Hastighedsvælger	14 Skrånitsrille	24 Målestang
5 Værktøjsåbner	15 Gearhus	25 Skrue
6 Klingeholder	16 V-rille	26 Føringsanslagssæt
7 Stiksavklinge	17 Starthul	27 Føringssskinne
8 Fremspring	18 Støvtuds	28 Fodplade
9 Sål	19 Slange til støvsuger	29 Antisplint-anordning
10 Unbrakonøgle	20 Parallellanslag	

SPECIFIKATIONER

Model	4350T	4350CT	4350FTC
Slaglængde	26 mm	26 mm	26 mm
Maksimal snitkapacitet			
Træ	135 mm	135 mm	135 mm
Stål	10 mm	10 mm	10 mm
Aluminium	20 mm	20 mm	20 mm
Slag per minut (min ⁻¹)	2 800	800 – 2 800	800 – 2 800
Længde	236 mm	236 mm	236 mm
Vægt	2,6 kg	2,6 kg	2,6 kg
Sikkerhedsklasse	□ / I	□ / I	□ / I

- Ret til tekniske ændringer forbeholdes.
- Specifikationer kan variere fra land til land.
- Vægt i henhold til EPTA-Procedure 01/2003

Tilsigtet anvendelse

Denne maskine er beregnet til savning i træ, plast- og metalmaterialer. Takket være det omfattende udvalg i tilbehør og savklinger, kan maskinen anvendes til mange formål og er velegnet til at save buer og cirkler.

Netsspænding

Maskinen må kun tilsluttes den netspænding, der er angivet på typeskiltet. Maskinen arbejder på enkeltfasets vekselspænding og er dobbeltisoleret iht. de europæiske normer og må derfor tilsluttes en stikkontakt uden jordtilslutning.

Sikkerhedsforskrifter

For Deres egen sikkerheds skyld bør De sætte Dem ind i sikkerhedsforskrifterne.

SPECIFIKKE SIKKERHEDSFORSKRIFTER

LAD IKKE bekvemmelighed og kendskab til produktet (opnået gennem gentagen anvendelse) forhindre Dem i nøje at overholde sikkerhedsforskrifterne for dekupørsaven. Hvis dette el-værktøj anvendes på en måde, som ikke er sikkerhedsmæssig forsvarlig eller på en forkert måde, kan resultatet blive alvorlige kvæstelser.

1. Hold altid et el-værktøj i dets isolerede håndtagsflader, når du udfører et arbejde, hvor skæreværktøjet kan komme i berøring med dets egen ledning. Hvis skæreværktøjet kommer i berøring med en strømførende ("live") ledning, kan el-værktøjets udsatte metaldele blive strømførende og give operatøren stød.

2. Anvend skruetvinger eller en anden praktisk måde at fastholde og støtte arbejdsstykket på en stabil flade. Hvis De holder arbejdsstykket fast med hånden eller holder det mod kroppen, vil det blive ustabil, hvilket kan føre til, at De mister kontrollen over det.
3. Anvend altid sikkerhedsbriller eller beskyttelsesbriller. Almindelige briller og solbriller er IKKE sikkerhedsbriller.
4. Undgå at save i søm og skruer. Tjek emnet for søm og skruer og fjern sådanne, før arbejdet påbegyndes.
5. Skær ikke i overdimensionerede emner.
6. Tjek for tilstrækkelig frigang under emnet, så klingens ikke rammer gulv, arbejdsbænk eller lignende.
7. Hold maskinen fast med begge hænder.
8. Vær sikker på at klingens ikke er i kontakt med emnet, når maskinen tændes.
9. Hold hænderne borte fra bevægelige dele.
10. Sluk altid værktøjet når det ikke benyttes. Brug kun værktøjet som håndværktøj.
11. Sluk altid værktøjet og vent til klingens er helt stoppet, før De fjerner klingens fra emnet.
12. Undlad at røre klingens eller emnets umiddelbart efter brugen. Klingens og emnets kan være meget varme og forårsage forbrændinger.
13. Anvend ikke maskinen unødvendigt uden belastning.
14. Visse materialer indeholder kemikalier, som kan være giftige. Vær påpasselig med ikke at indånde støv eller få disse materialer på huden. Følg sikkerhedsforskrifterne fra fabrikanten af materialet.

15. Anvend altid en korrekt støvmaske/respirator, som passer til det materiale og den arbejdsmede, De anvender.

ADVARSEL:
MISBRUG eller forsømmelse af at følge de i denne brugsvejledning givne sikkerhedsforskrifter kan føre til, at De kommer alvorligt til skade.

GEM DISSE FORSKRIFTER.

FUNKTIONSBESKRIVELSE

FORSIGTIG:

- Sørg altid for at maskinen er slukket og netstikket er trukket ud, før der udføres justering eller eftersyn af maskinens funktioner.

Valg af savemåde (Fig. 1)

Denne maskine kan save med penduludsving eller en lineær bevægelse (op og ned). Savemåden med penduludsving støder klingens fremad samtidig med slaget og forøger savehastigheden betydeligt.

For at skifte savemåde drejes savemådevælgeren blot hen på positionen for den ønskede savemåde.

Se tabellen herunder for at vælge den rigtige skæremåde.

Position	Klingebevægelse	Anvendelse
0	Lineær	Savning i alm. stål, rustfrit stål og plastic. Rent snit i træ og krydsfiner.
I	Med lille penduludsving	Savning i alm. stål, aluminium og hårdt træ.
II	Med medium penduludsving	Savning i træ og krydsfiner. Hurtigsavning i aluminium og alm. stål.
III	Med kraftigt penduludsving	Hurtigsavning i træ og krydsfiner.

Afbryderkontakt (Fig. 2)

FORSIGTIG:

- Før maskinen sættes til netstikket, skal De altid kontrollere, at afbryderkontakten fungerer korrekt og returnerer til "OFF" positionen, når den slippes.

Tryk på afbryderkontakten for at starte maskinen. Slip afbryderkontakten for at stoppe maskinen.

Ved vedvarende arbejde trykkes på afbryderkontakten, hvorefter låseknappen trykkes ind.

For at stoppe maskinen fra denne låste indstilling trykkes afbryderkontakten helt i bund, hvorefter den slippes.

Hastighedsvælger (Fig. 3)

For 4350CT, 4350FCT

Maskinhastigheden kan justeres til mellem 800 og 2 800 slag per minut ved at drejes på hastighedsvælgeren. Der opnås højere hastighed, når knappen drejes i retning mod 5; lavere hastighed opnås ved at dreje den i retning af 1.

Se tabellen herunder for at finde den korrekte hastighed til det emne, der skal saves. Den passende hastighed kan dog svinge alt efter emnets type eller tykkelse. Generelt vil højere hastighed gøre det muligt at save emner hurtigere, men savklingens levetid vil blive kortere.

Emne der skal saves	Tal på hastighedsvælgeren
Træ	4 – 5
Smedestål	3 – 5
Rustfrit stål	3 – 4
Aluminium	3 – 5
Plastic	1 – 4

FORSIGTIG:

- Hastighedsvælgeren kan kun drejes så langt som til 5 og tilbage til 1. Tving den ikke forbi 5 eller 1, da hastighedsvælgerfunktionen ellers kan gå i stykker.

Maskiner forsynet med elektronisk funktion er nemme at anvende, takket være følgende egenskaber.

Konstant hastighedskontrol

Elektronisk hastighedskontrol for at opnå konstant hastighed. Gør det muligt at opnå en bedre finish, da rotationshastigheden holdes konstant, selv i belastet tilstand.

Blød opstart

Sikker og blød start, da startchok forebygges.

Tænding af lamperne

Kun for 4350FCT

FORSIGTIG:

- Se ikke direkte på lyskilden.

Lampen tændes ved at man trykker på afbryderen. Slip afbryderen for at slukke.

BEMÆRK:

- Anvend en tør klud til at tørre smuds af lampens linse. Undgå at ridse lampens linse, da det vil gøre belysningen svagere.

SAMLING

FORSIGTIG:

- Sørg altid for at maskinen er slukket, og netstikket er trukket ud, før der udføres noget arbejde på maskinen.

Montering og afmontering af savklinge

(Fig. 4, 5 og 6)

FORSIGTIG:

- Sørg for altid at fjerne spåner eller andre fremmedlegemer, der måtte klæbe til klingens og/eller klingeholderens. Forsømmelse af dette kan resultere i utilstrækkelig tilspænding af klingens, hvilket kan medføre alvorlig tilskadekomst.
- Rør ikke ved klingens eller emnet umiddelbart efter anvendelse. De kan begge være meget varme og forårsage hudforbrænding ved berøring.
- Stram klingens sikkert til. Forsømmelse af dette kan lede til alvorlig tilskadekomst.
- Når De fjerner savklingen, skal De være forsigtig, så De ikke skærer fingrene på toppen af klingens eller på spåner fra emnet.

Åbn værktøjsåbneren til den position, som vises på illustrationen, for at montere klingens. (Fig. 4)

Mens denne tilstand opretholdes, sættes klingens så langt ind i klingeholderens, at de to fremspring ikke kan ses. (Fig. 5)

Sæt værktøjsåbneren tilbage i dens oprindelige stilling. Efter montering af savklingen skal det altid kontrolleres, at savklingen sidder sikkert fast, hvilket gøres ved, at man forsøger at trække klingens ud.

FORSIGTIG:

- Åbn ikke værktøjsholderens for meget, da det kan medføre beskadigelse af maskinen.

Åbn værktøjsåbneren til den position, som vises på illustrationen, for at fjerne klingens. Træk klingens ud mod sålens. (Fig. 6)

BEMÆRK:

- Smør styrevalsen med mellemrum.

Opbevaring af unbrakonøglen (Fig. 7)

Når unbrakonøglen ikke er i brug, kan den bekvemt opbevares her.

BETJENING

FORSIGTIG:

- Hold godt fast i værktøjet med den ene hånd på hovedhåndtaget, når De anvender værktøjet. Hvis det er nødvendigt, kan den forreste del af værktøjet understøttes med den anden hånd.
- Hold altid maskinens sål plant med emnet. Hvis sålens ikke ligger plant med emnet, er der stor risiko for at klingens brækker, hvilket kan medføre alvorlig tilskadekomst.

Tænd for maskinen og vent til klingens er kommet op på fuld hastighed. Lad derefter sålens hvile plant mod emnet og før maskinen forsigtigt fremad langs den opmærkede snitlinie. Flyt maskinen meget langsomt, når der saves buer. (Fig. 8)

Geringsssnit

FORSIGTIG:

- Kontrollér altid, at maskinen er slået fra, og at netstikket er trukket ud af stikkontakten, før maskinens sål skrånstilles.

Med maskinens sål kippet på skrå, kan man lave skrånstnit i enhver vinkel mellem 0° og 45° (venstre eller højre).

(Fig. 9)

Løsn bolten på undersiden af sålens med unbrakonøglen. Flyt sålens, så bolten bliver placeret i centrum af den krydsformede skrånstnitrisle i sålens. (Fig. 10)

Kip maskinens sål, indtil den ønskede geringsvinkel er opnået. V-rillen på gearhuset angiver geringsvinklen. Stram derefter bolten fast til for at holde sålens på plads. (Fig. 11)

Skæring mod kant (Fig. 12)

Løsn bolten på undersiden af maskinens sål med unbrakonøglen, og skub sålens helt bagud. Stram derefter bolten til for at fastgøre maskinens sål.

Udskæringer

Udskæringer kan laves ved hjælp af metode A eller B.

A) Boring af et starthul:

Ved indvendige udskæringer, uden et indførende savspor fra en kant, startes med at der bores et starthul med en diameter på 12 mm eller mere. Før savklingen ned i dette hul for at starte savningen. (Fig. 13)

B) Dyksnit:

Det er ikke nødvendigt at bore et starthul, eller lave et indførende savspor fra en kant, hvis følgende udføres omhyggeligt:

1. Vip maskinen op, så den hviler på forkanten af sålens, med klingespidsen placeret lige over emnets overflade. (Fig. 14)
2. Læg tryk på maskinen, så forkanten af sålens ikke forskubber sig, når maskinen tændes, og sænk så forsigtigt den bagerste del af maskinen.
3. I takt med at klingens trænger igennem emnet, sænkes maskinens sål langsomt ned på emnets overflade.
4. Fuldfør derefter savningen på normal vis.

Afglatning af kanter (Fig. 15)

For at trimme kanter eller foretage dimensionelle justeringer køres klingens let hen langs kanten ad savsporet.

Savning af metal

Anvend altid et passende kølemiddel (skæreolie), når der saves metal. Anvendes der ikke et kølemiddel, medfører det uundgåeligt slid på savklingen. I stedet for at anvende et kølemiddel kan undersiden af emnet smøres.

Støvsugning

Det anbefales at bruge støvstudsens (ekstraudstyr) for at undgå støvforurening under savning.

Montér støvstudsens på maskinen ved at sætte krogen på studsens ind i hullet i sålens. (Fig. 16 og 17)

Støvstudsens kan monteres på enten venstre eller højre side af sålens.

Tilslut derefter en Makita støvsuger til støvstudsens. (Fig. 18)

FORSIGTIG:

- Hvis De forsøger at afmontere støvstudsens med magt, kan krogen på støvstudsens blive slidt ned og derved kan den utilsigtet gå løs under anvendelse.

Parallellanslagssæt (ekstraudstyr)

FORSIGTIG:

- Kontrollér altid, at maskinen er slået fra, og at netstikket er trukket ud af stikkontakten, før der monteres eller afmonteres ekstraudstyr.

1) Lige snit (Fig. 19 og 20)

Når der gentagne gange skal saves bredder på 160 mm eller mindre, vil anvendelse af parallellanslag sikre en hurtig, ren og lige savning. Installer parallellanslaget ved at sætte det ind i det rektangulære hul på siden af sålen, med anlægsskinnen nedad.

Skyd parallellanslaget til den ønskede skærevindposition, og stram dernæst bolten til for at holde det på plads.

2) Cirkelsnit (Fig. 21 og 22)

Når der saves cirkler eller buer med en radius på 170 mm eller mindre, installeres parallellanslaget som følger:

Sæt parallellanslaget ind i det rektangulære hul på siden af sålen, med anlægsskinnen opad. Før centrérspidsen ind gennem et af de to huller i anlægsskinnen. Fastgør centrérspids ved at skru kuglegrebet på den.

Skyd nu parallellanslaget til den ønskede saveradius, og stram bolten for at holde anslaget på plads. Flyt derefter maskinens sål hele vejen frem.

BEMÆRK:

- Anvend altid klingerne Nr. B-17, B-18, B-26 eller B-27, når der saves cirkler eller buer.

Føringsanslagssæt (ekstraudstyr)

Når der skal laves parallelle savninger med ens bredde, eller saves lige, vil anvendelse af føringskinnen og føringsanslaget sikre udførelse af hurtige og lige savninger. (Fig. 23)

For at montere føringsanslaget føres målestangen så langt ind i det firkantede hul på sålen, som den vil gå. Fastgør bolten forsvarligt med unbrakonøglen. (Fig. 24)

Monter føringsanslaget på føringskinnens skinne. Før målestangen ind i det firkantede hul på føringsanslaget. Anbring sålen mod siden på føringskinnen, og stram bolten forsvarligt til. (Fig. 25)

FORSIGTIG:

- Anvend altid klinger Nr. B-8, B-13, B-16, B-17 eller 58, når føringskinnen og føringsanslaget benyttes.

Fodplade (Fig. 26)

Anvend fodpladen, når der saves finer, plastmaterialer og lignende. Fodpladen beskytter sarte og modtagelige overflader mod ridser og skrammer. Anbring fodpladen på maskinens sål nedenfra.

Antisplint-anordning (Fig. 27)

For at opnå savninger uden flossede kanter kan antisplint-anordningen anvendes. For at montere antisplint-anordningen flyttes maskinens sål helt fremad, hvorefter anordningen sættes på sålen nedenfra. Når De anvender fodpladen, skal antisplint-anordningen monteres oven på fodpladen.

FORSIGTIG:

- Antiflosse-anordning kan ikke anvendes ved geringsnit.

VEDLIGEHOLDELSE

FORSIGTIG:

- Sørg altid for, at maskinen er slukket og taget ud af forbindelse, før der foretages inspektion eller vedligeholdelse.

For at opretholde produktets SIKKERHED og PÅLIDELIGHED, må istandsættelse, eftersyn af kulbørster og udskiftning af dele samt alle andre vedligeholdelsesarbejder og justeringer kun udføres af et autoriseret Makita-servicecenter, og der må kun anvendes udskiftningsdele fra Makita.

TILBEHØR

FORSIGTIG:

- Dette udstyr og tilbehør bør anvendes sammen med Deres Makita maskine, sådan som det er beskrevet i denne brugsanvisning. Anvendelse af andet udstyr eller tilbehør kan udgøre en risiko for personskade. Tilbehøret bør kun anvendes til det, det er beregnet til.




Hvis De behøver hjælp ved valg af tilbehør eller ønsker yderligere informationer, bedes De kontakte Deres lokale Makita service center.

- Stiksavsklinge
- Unbrakonøgler 4
- Parallellanslagssæt (støtteføringsssæt)
- Føringsanslagssæt
- Føringskinnesæt
- Antiflosse-anordning
- Støvstuds
- Fodplade
- Slange (Til støvsuger)

Περιγραφή γενικής άποψης

1	Λεβιές αλλαγής τρόπου κοπής	10	Εξαγωνικό κλειδί	21	Προστατευτικός οδηγός
2	Διακόπτης σκανδάλης	11	Γραμμή κοπής	22	Κουμπί με σπείρωμα
3	Κουμπί ασφάλισης	12	Μπουλόνι	23	Πείρος κυκλικής οδήγησης
4	Καντράν ρύθμισης ταχύτητας	13	Διαβαθμίσεις	24	Χάρακας
5	Τμήμα ανοίγματος εργαλείου	14	Λοξή σχισμή	25	Βίδα
6	Σφικτήρας λάμας	15	Περιβλήμα μηχανισμού	26	Προσαρμοστής οδηγού σιδηροτροχιάς
7	Λάμα παλινδρομικού πριονιού	16	Εγκοπή V	27	Οδηγός σιδηροτροχιάς
8	Προεσοχές	17	Τρύπα ξεκινήματος	28	Πλάκα καλύμματος
9	Βάση	18	Ακροφύσιο σκόνης	29	Συσκευή αποφυγής σκληθρών
		19	Σωλήνας για σκούπα απορρόφησης		
		20	Προστατευτικό σχισίματος		

ΤΕΧΝΙΚΑ ΧΑΡΑΚΤΗΡΙΣΤΙΚΑ

Μοντέλο	4350T	4350CT	4350FCT
Μήκος διαδρομής	26 χιλ.	26 χιλ.	26 χιλ.
Μεγ. ικανότητα κοπής			
Ξύλο	135 χιλ.	135 χιλ.	135 χιλ.
Χάλυβας	10 χιλ.	10 χιλ.	10 χιλ.
Αλουμίνιο	20 χιλ.	20 χιλ.	20 χιλ.
Διαδρομές ανά λεπτό (min ⁻¹)	2.800	800 – 2.800	800 – 2.800
Ολικό μήκος	236 χιλ.	236 χιλ.	236 χιλ.
Καθαρό βάρος	2,6 Χγρ.	2,6 Χγρ.	2,6 Χγρ.
Κατηγορία ασφάλειας	 /II	 /II	 /II

- Λόγω του συνεχιζόμενου προγράμματος έρευνας και ανάπτυξης, οι παρούσες προδιαγραφές υπόκεινται σε αλλαγή χωρίς προειδοποίηση.
- Τα τεχνικά χαρακτηριστικά μπορεί να διαφέρουν από χώρα σε χώρα.
- Βάρος σύμφωνα με διαδικασία EPTA 01/2003

Προοριζόμενη χρήση

Το εργαλείο προορίζεται για πρίονισμα ξύλου, πλαστικών και μεταλλικών υλικών. Ως αποτέλεσμα του εκτεταμένου προγράμματος εξαρτημάτων και λαμών πριονισμού, το εργαλείο μπορεί να χρησιμοποιηθεί για πολλούς σκοπούς και είναι πολύ κατάλληλο για कामпύλες ή κυκλικές κοπές.

Ρευματοδότηση

Το μηχάνημα πρέπει να συνδέεται μόνο σε παροχή ρεύματος της ίδιας τάσης με αυτή που αναφέρεται στην πινακίδα κατασκευαστού και μπορεί να λειτουργήσει μόνο με εναλλασσόμενο μονοφασικό ρεύμα. Τα μηχανήματα αυτά έχουν διπλή μόνωση σύμφωνα με τα Ευρωπαϊκά Πρότυπα και κατά συνέπεια, μπορούν να συνδεθούν σε ακροδέκτες χωρίς σύρμα γείωσης.

Υποδείξεις ασφάλειας

Για την προσωπική σας ασφάλεια, ανατρέξτε στις εσωκλειστες οδηγίες ασφάλειας.

ΕΙΔΙΚΟΙ ΚΑΝΟΝΕΣ ΑΣΦΑΛΕΙΑΣ

ΜΗΝ επιτρέπετε στη βολικότητα και εξοικείωση με το προϊόν (που αποκτήθηκε με επανεπιλημμένη χρήση) να αντικαταστήσει την αυστηρή προσηλωση στους κανόνες ασφάλειας του λεπτού πριονιού. Εάν χρησιμοποιείτε το ηλεκτρικό εργαλείο αυτό χωρίς ασφάλεια ή με πλημμελή τρόπο, μπορεί να υποστείτε σοβαρό προσωπικό τραυματισμό.

1. **Να κρατάτε τα ηλεκτρικά εργαλεία μόνον από τις μονωμένες επιφάνειες συγκράτησης, κατά την εκτέλεση εργασίας όπου το παρελκόμενο κοπής ενδέχεται να έλθει σε επαφή με κρυφές καλωδιώσεις ή το δικό του καλώδιο τροφοδοσίας.** Σε περίπτωση επαφής του παρελκόμενου κοπής με “ηλεκτροφόρο” καλώδιο, ενδέχεται να εκτεθειμένα μεταλλικά εξαρτήματα του ηλεκτρικού εργαλείου να καταστούν τα ίδια “ηλεκτροφόρα” και να προκαλέσουν ηλεκτροπληξία στο χειριστή.
2. **Χρησιμοποιείτε σφικτήρες ή κάποιο άλλο πρακτικό μέσο για να ασφαλίσετε και υποστηρίξετε το τεμάχιο εργασίας σε μία σταθερή βάση.** Το κράτημα του τεμαχίου εργασίας με το χέρι ή με το σώμα το αφήνει ασταθές και μπορεί να οδηγήσει σε απώλεια ελέγχου.
3. **Πάντοτε χρησιμοποιείτε γυαλιά ασφάλειας ή ματογυαλιά. Τα συνήθη γυαλιά ή γυαλιά ηλίου δεν είναι γυαλιά ασφάλειας.**
4. **Αποφύγετε την κοπή καρφιών. Εξετάστε το αντικείμενο εργασίας για τυχόν καρφιά και αφαιρέστε τα πριν την λειτουργία κοπής.**
5. **Μη κόβετε υπερμεγέθη αντικείμενα.**

6. Ελέγξτε για αρκετή απόσταση πέραν του αντικειμένου εργασίας πριν την κοπή ώστε η λάμα να μη χτυπήσει το πάτωμα, το πάγκο εργασίας, κλπ.
7. Κρατάτε το μηχάνημα σταθερά.
8. Βεβαιωθείτε ότι η λάμα δεν αγγίζει το αντικείμενο εργασίας πριν ανάψετε το διακόπτη.
9. Κρατάτε τα χέρια σας μακριά από τα περιστρεφόμενα μέρη.
10. Μην αφήνετε το μηχάνημα αναμμένο. Βάζετε σε λειτουργία το μηχάνημα μόνο όταν το κρατάτε στα χέρια.
11. Πάντοτε σβήνετε το μηχάνημα και περιμένετε τη λάμα να σταματήσει τελειώς πριν αφαιρέσετε τη λάμα από το αντικείμενο εργασίας.
12. Μην αγγίξετε την αιχμή ή το αντικείμενο εργασίας αμέσως μετά τη λειτουργία, γιατί μπορεί να είναι εξαιρετικά θερμά και να σας προκαλέσουν εγκαύματα.
13. Μη λειτουργείτε το εργαλείο χωρίς - φορτίο όταν δεν είναι απαραίτητο.
14. Μερικά υλικά περιέχουν χημικά που μπορεί να είναι τοξικά. Προσέχετε να αποφύγετε εισπνοή σκόνης και δερματική επαφή. Ακολουθείτε τα δεδομένα ασφάλειας του προμηθευτή υλικών.
15. Πάντοτε χρησιμοποιείτε τη σωστή προσώπιδα/ αναπνευστήρα σε σχέση με το υλικό και την εφαρμογή στην οποία εργάζεστε.

ΦΥΛΑΞΕΤΕ ΑΥΤΕΣ ΤΙΣ ΟΔΗΓΙΕΣ.

ΠΡΟΕΙΔΟΠΟΙΗΣΗ:

ΚΑΚΗ ΧΡΗΣΗ ή αμέλεια να ακολουθήσετε τους κανόνες ασφάλειας που διατυπώνονται σ'αυτό το εγχειρίδιο οδηγίων μπορεί να προκαλέσει σοβαρό προσωπικό τραυματισμό.

ΠΕΡΙΓΡΑΦΗ ΛΕΙΤΟΥΡΓΙΑΣ

ΠΡΟΣΟΧΗ:

- Πάντοτε βεβαιώνετε ότι το εργαλείο είναι σβηστό και αποσυνδεδεμένο από το ρεύμα πριν ρυθμίσετε ή ελέγξετε κάποια λειτουργία του εργαλείου.

Επιλογή τρόπου κοπής (Εικ. 1)

Αυτό το μηχάνημα μπορεί να λειτουργήσει σε κίνηση κοπής περιστροφική ή ευθεία γραμμή (επάνω και κάτω). Η περιστροφική κίνηση κοπής ωθεί την λάμα προς τα εμπρός στην γραμμή κοπής και προοδευτικώς αυξάνει την ταχύτητα κοπής.

Για να αλλάξετε τον τρόπο κοπής, απλώς γυρίστε τον λεβιέ αλλαγής τρόπου κοπής στην επιθυμητή θέση τρόπου κοπής.

Αναφερθείτε στον πίνακα για να επιλέξετε τον κατάλληλο τρόπο κοπής.

Θέση	Κίνηση κοπής	Εφαρμογές
0	Κίνηση κοπής ευθεία γραμμή	Για κοπή μαλακού χάλυβα, ανοξείδωτου χάλυβα και πλαστικών. Για καθαρές κοπές σε ξύλο και καπλαμά.
I	Κίνηση κοπής μικρή περιστροφική	Για κοπή μαλακού χάλυβα, αλουμινίου και σκληρού ξύλου.
II	Κίνηση κοπής μέτρια περιστροφική	Για κοπή ξύλου και καπλαμά. Για γρήγορη κοπή αλουμινίου και μαλακού χάλυβα.
III	Κίνηση κοπής μεγάλη περιστροφική	Κίνηση κοπής μεγάλη περιστροφική Για γρήγορη κοπή ξύλου και καπλαμά.

Λειτουργία διακόπτη (Εικ. 2)

ΠΡΟΣΟΧΗ:

- Πριν συνδέσετε το μηχάνημα στο ρεύμα, πάντοτε να ελέγχετε να δείτε ότι ο διακόπτης σκανδάλης ενεργοποιείτε κανονικά και επιστρέφει στη θέση "OFF" όταν ελευθερώνεται.

Για να ξεκινήσετε το μηχάνημα, απλά πατήστε τη σκανδάλη. Για να σταματήσετε αφήστε τη σκανδάλη. Για συνεχή λειτουργία, πατήστε τη σκανδάλη και μετά πιέστε μέσα το κουμπί ασφάλισης. Για να σταματήσετε το μηχάνημα από την ασφαλισμένη θέση, πατήστε τη σκανδάλη μέχρι τέρμα και μετά αφήστε την.

Καντράν ρύθμισης ταχύτητας (Εικ. 3)

Για 4350CT, 4350FCT

Η ταχύτητα του μηχανήματος μπορεί να ρυθμιστεί απεριόριστα μεταξύ 800 και 2.800 διαδρομών το λεπτό με περιστροφή του καντράν ρύθμισης. Μεγαλύτερη ταχύτητα επιτυγχάνεται όταν το καντράν περιστραφεί στη διεύθυνση του νούμερου 5; χαμηλότερη ταχύτητα επιτυγχάνεται όταν το καντράν περιστραφεί στη διεύθυνση του νούμερου 1.

Αναφερθείτε στον παρακάτω πίνακα για να επιλέξετε την κατάλληλη ταχύτητα για κατεργαζόμενο κομμάτι που πρόκειται να κοπεί. Ωστόσο, η κατάλληλη ταχύτητα μπορεί να διαφέρει ανάλογα με τον τύπο ή το πάχος του κατεργαζόμενου κομματιού. Γενικά, μεγαλύτερες ταχύτητες θα σας επιτρέψουν να κόψετε κατεργαζόμενα κομμάτια γρηγορότερα αλλά θα ελαττωθεί η διάρκεια λειτουργίας της λάμας.

Κομμάτι προς κοπή	Αριθμός στο καντράν
Ξύλο	4 – 5
Μαλακός Χάλυβας	3 – 5
Ανοξειδωτος Χάλυβας	3 – 4
Αλουμίνιο	3 – 5
Πλαστικά	1 – 4

ΠΡΟΣΟΧΗ:

- Το καντράν ρύθμισης ταχύτητας μπορεί να περιστραφεί μόνο μέχρι το 5 και πίσω μέχρι το 1. Μην το ζορίζετε να ξεπεράσει το 5 ή 1, διαφορετικά η δυνατότητα ρύθμισης ταχύτητας μπορεί να μη λειτουργεί μετά.

Τα εργαλεία που είναι εφωδιασμένα με ηλεκτρονική λειτουργία είναι εύκολα στην λειτουργία λόγω των ακολούθων χαρακτηριστικών.

Συνεχής έλεγχος ταχύτητας

Ηλεκτρονικός έλεγχος ταχύτητας για επίτευξη σταθερής ταχύτητας. Είναι δυνατόν να γίνει λεπτό φινιρίσμα, γιατί η περιστροφική ταχύτητα διατηρείται σταθερή ακόμη και υπό συνθήκες φορτίου.

Χαρακτηριστικό απαλού ξεκινήματος

Ασφαλές και απαλό ξεκίνημα λόγω καταστολής του τινάγματος κατά το ξεκίνημα.

Αναμμα των λαμπών

Μόνο για 4350FCT

ΠΡΟΣΟΧΗ:

- Μη κυττάτε το φως ούτε να βλέπετε την πηγή φωτός απευθείας.

Για να ανάψετε τη λάμπα, τραβήξτε τη σκανδάλη. Ελευθερώστε τη σκανδάλη για να τη σβήσετε.

ΣΗΜΕΙΩΣΗ:

- Χρησιμοποιείτε ένα στεγνό ύφασμα για να σκουπίζετε τους ρύπους από το φακό της λάμπας. Προσέχετε να μη γρατσουνίσετε το φακό της λάμπας, διαφορετικά θα μειωθεί ο φωτισμός.

ΣΥΝΑΡΜΟΛΟΓΗΣΗ

ΠΡΟΣΟΧΗ:

- Πάντοτε βεβαιώνετε ότι το εργαλείο είναι σβηστό και αποσυνδεδεμένο πριν εκτελέσετε οποιαδήποτε εργασία στο εργαλείο.

Τοποθέτηση ή αφαίρεση λαμών πριονιού

(Εικ. 4, 5 και 6)

ΠΡΟΣΟΧΗ:

- Πάντοτε καθαρίστε όλα τα προσκολλημένα στη λάμπα ή στο στήριγμα της λάμπας πριονιδία ή ξένα υλικά. Εάν δεν γίνει αυτό, μπορεί να γίνει αιτία για ανεπαρκές σφίξιμο της λάμπας και να καταλήξει σε σοβαρό τραυματισμό.
- Μην αγγίζετε την λάμπα ή το αντικείμενο εργασίας αμέσως μετά την λειτουργία, γιατί μπορεί να είναι εξαιρετικά θερμά και να σας προκαλέσουν εγκαύματα.
- Σφίχτε τη λάμπα πριονιού σταθερά. Διαφορετικά μπορεί να προκληθεί σοβαρός τραυματισμός.

- Όταν αφαιρείτε την λάμπα πριονιού, προσέχετε να μη τραυματίσετε τα δάκτυλά σας με την κορυφή της λάμπας ή τις άκρες των αντικειμένων εργασίας.

Για την τοποθέτηση της λάμπας, ανοίχτε το τμήμα ανοίγματος του εργαλείου στη θέση που φαίνεται στην εικόνα. (Εικ. 4)

Κρατώντας το στη θέση αυτή, βάλε την λάμπα πριονιού μέσα στον σφιγκτήρα λάμπας μέχρι να μην φαίνονται οι δύο προεξοχές της λάμπας. (Εικ. 5) Επαναφέρετε το τμήμα ανοίγματος στην αρχική του θέση.

Μετά την τοποθέτηση της λάμπας πριονιού, πάντοτε βεβαιώνετε ότι η λάμπα κρατιέται σταθερά στη θέση της επιχειρώντας να την τραβήξετε έξω.

ΠΡΟΣΟΧΗ:

- Μην ανοίγετε το τμήμα ανοίγματος υπερβολικά γιατί μπορεί να προκληθεί ζημιά στο εργαλείο.

Για την αφαίρεση της λάμπας, ανοίχτε το τμήμα ανοίγματος του εργαλείου στη θέση που φαίνεται στην εικόνα. Τραβήχτε την λάμπα πριονιού έξω προς το μέρος της βάσης. (Εικ. 6)

ΣΗΜΕΙΩΣΗ:

- Περιστασιακά λιπαίνετε τον κύλινδρο.

Φύλαξη εξαγωνικού κλειδιού (Εικ. 7)

Όταν δεν χρησιμοποιείται, το εξαγωνικό κλειδί μπορεί να φυλαχτεί βολικά.

ΛΕΙΤΟΥΡΓΙΑ

ΠΡΟΣΟΧΗ:

- Κρατάτε το εργαλείο σταθερά με το ένα χέρι στην κύρια λαβή όταν λειτουργείτε το εργαλείο. Εάν είναι απαραίτητο, το εμπρόσθιο μέρος του εργαλείου μπορεί να συγκρατείται με το άλλο χέρι.
- Πάντοτε κρατάτε τη βάση του μηχανήματος ευθυγραμμισμένη με το κατεργαζόμενο κομμάτι. Εάν το παραλείψετε, μπορεί να προκληθεί θραύση της λάμπας, με αποτέλεσμα σοβαρό τραυματισμό.

Ανοίξτε το μηχανήμα και περιμένετε μέχρι η λάμπα να αποκτήσει εντελώς την ταχύτητα της. Μετά, ακουμπήστε το μηχανήμα ομοιόμορφα στο κατεργαζόμενο κομμάτι και κινηστε απαλά το μηχανήμα προς τα εμπρός κατά μήκος της γραμμής κοπής που έχει σηματοθευτεί από πριν. Όταν κόβετε καμπύλες, προχωρείστε το μηχανήμα πολύ αργά. (Εικ. 8)

Λοξότμηση

ΠΡΟΣΟΧΗ:

- Πάντοτε βεβαιώνετε ότι το μηχανήμα είναι σβηστό και βγαλμένο από την πρίζα πριν δώσετε κλίση στη βάση του μηχανήματος.

Δίνοντας κλίση στην βάση του εργαλείου, μπορείτε να κάνετε λοξοτομές σε οποιαδήποτε γωνία μεταξύ 0° και 45° (αριστερά ή δεξιά). (Εικ. 9)

Χαλαρώστε το μπουλόνι στο πίσω μέρος της βάσης με το εξαγωνικό κλειδί. Μετακινήστε τη βάση έτσι ώστε το μπουλόνι να είναι τοποθετημένο στο κέντρο της λοξής σχισμής στη βάση. (Εικ. 10) Δώστε κλίση στη βάση μέχρι να επιτύχετε την επιθυμητή λοξή γωνία.

Η εγκοπή V στο περίβλημα της μηχανής δείχνει την λοξή γωνία με διαβαθμίσεις. Μετά σφίχτε το μπουλόνι σταθερά για να ασφαλίσετε την βάση. (Εικ. 11)

Εμπρόσθιες ευθυγραμμισμένες κοπές (Εικ. 12)

Χαλαρώστε το μπουλόνι στο πίσω μέρος της βάσης του μηχανήματος το το εξαγωνικό κλειδί, μετά μετακινήστε τη βάση του μηχανήματος μέχρι τέρμα προς τα πίσω. Μετά σφίξτε το μπουλόνι για να στερεώσετε τη βάση του μηχανήματος.

Αποκοπή

Αποκοπές μπορούν να γίνουν με τη μια ή με την άλλη από τις μεθόδους, Α ή Β.

A) Με άνοιγμα τρύπας εκκίνησης:

Για εσωτερικές αποκοπές χωρίς αρχικό κόψιμο από μια άκρη, προ-τριπήστε μια τρύπα εκκίνησης 12 χιλ. ή περισσότερο. Εισάγετε τη λάμα μέσα σε αυτή την τρύπα και ξεκινήστε τη κοπή σας. (Εικ. 13)

B) Κοπές βύθισης:

Δε χρειάζεται να ανοίξετε τρύπα εκκίνησης ή να κάνετε μια αρχική κοπή εάν προσεχτικά κάνετε όπως ακολούθως.

1. Δώστε κλίση στο μηχάνημα προς τα επάνω, σε σχέση με την μπροστινή μεριά της βάσης, με τη λάμα τοποθετημένη λίγο πάνω από την επιφάνεια του κατεργαζόμενου κομματιού. (Εικ. 14)
2. Εφαρμόστε πίεση στο μηχάνημα, έτσι ώστε η μπροστινή μεριά της βάσης να μην μετακινηθεί όταν ανάψετε το μηχάνημα και μαλακά χαμηλώστε σιγά-σιγά το πίσω μέρος της βάσης του μηχανήματος.
3. Καθώς η λάμα διαπερνά το κατεργαζόμενο κομμάτι, σιγά-σιγά χαμηλώστε τη βάση του μηχανήματος κάτω προς την επιφάνεια του κατεργαζόμενου κομματιού.
4. Ολοκληρώστε την κοπή με τον κανονικό τρόπο.

Τελειώματα γωνιών (Εικ. 15)

Για να καθαρίσετε τις γωνίες ή να κάνετε ρυθμίσεις στις διαστάσεις, κάντε ένα πέρασμα με τη λάμα κατά μήκος των κομμένων πλευρών.

Κοπή μετάλλων

Πάντοτε χρησιμοποιείτε ένα κατάλληλο ψυκτικό (έλαιο κοπής) όταν κόβετε μέταλλα. Εάν δεν το κάνετε αυτό θα προκληθεί σημαντική φθορά στη λάμα. Η κάτω πλευρά του κατεργαζόμενου κομματιού μπορεί να λιπανθεί αντί να χρησιμοποιηθεί ψυκτικό.

Εξαγωγή σκόνης

Το ακροφύσιο σκόνης (εξάρτημα) συνιστάται για εκτέλεση καθαρών εργασιών κοπής.

Για να προσαρμόσετε το ακροφύσιο σκόνης στο εργαλείο, βάλτε το άγκιστρο του ακροφυσίου σκόνης μέσα στην τρύπα στη βάση. (Εικ. 16 και 17)

Το ακροφύσιο σκόνης μπορεί να τοποθετηθεί είτε στην αριστερή είτε στην δεξιά πλευρά της βάσης. Κατόπιν συνδέστε μία σκούπα απορρόφησης Μάκιτα στο ακροφύσιο σκόνης. (Εικ. 18)

ΠΡΟΣΟΧΗ:

- Εάν προσπαθήσετε να αφαιρέσετε το ακροφύσιο σκόνης βίαια, το άγκιστρο του ακροφυσίου σκόνης μπορεί να αμβλυνθεί και να βγει απροσδόκτα κατά την λειτουργία.

Προστατευτικό σύνολο σχισίματος (προαιρετικό εξάρτημα)

ΠΡΟΣΟΧΗ:

- Πάντοτε βεβαιώνετε ότι το μηχάνημα είναι σβηστό και βγαλμένο από τη πρίζα πριν τοποθετήσετε ή αφαιρέσετε εξαρτήματα.

1) Ευθείες κοπές (Εικ. 19 και 20)

Όταν κόβετε επαναλαμβανόμενα πλάτη 160 χιλ. ή λιγότερο, χρησιμοποιήστε το προστατευτικό σχισίματος εξασφαλίζει γρήγορη, καθαρή και ευθεία κοπή. Για να τον τοποθετήσετε, βάλτε το προστατευτικό σχισίματος μέσα στην ορθογώνια τρύπα στην πλευρά της βάσης του μηχανήματος με τον προστατευτικό οδηγό να κοιτάει προς τα κάτω. Γλυτρίστε το προστατευτικό σχισίματος στη θέση του επιθυμητού πλάτους κοπής, και μετά σφίξτε τα μπουλόνια για να το στερεώσετε.

2) Κυκλικές κοπές (Εικ. 21 και 22)

Όταν κόβετε κύκλους ή τόξα ακτίνας 170 χιλ. ή λιγότερο, τοποθετήστε το προστατευτικό σχισίματος όπως ακολούθως. Βάλτε το προστατευτικό σχισίματος μέσα στην ορθογώνια τρύπα στην πλευρά της βάσης του μηχανήματος με τον προστατευτικό οδηγό να κοιτάει προς τα πάνω. Βάλτε τον πείρο κυκλικής οδήγησης να περάσει και από τις δύο τρύπες του προστατευτικού οδηγού. Βιδώστε το κουμπί με το σπείρωμα πάνω στο πείρο για να στερεώσετε τον πείρο.

Μετά, γλυτρίστε το προστατευτικό σχισίματος στην επιθυμητή ακτίνα κοπής, και σφίξτε το μπουλόνι για να τον στερεώσετε στη θέση του. Μετά μετακινήστε τη βάση του μηχανήματος όσο πάει μπροστά.

ΣΗΜΕΙΩΣΗ:

- Πάντα χρησιμοποιείτε λάμες Νο. B17, B-18, B-26 ή B-27 όταν κόβεται κύκλους ή τόξα.

Σύνολο προσαρμοστή οδηγού σιδηροτροχιάς (εξάρτημα)

Όταν εκτελείτε κοπή παράλληλη και ομοιόμορφου πλάτους ή ίσια κοπή, η χρήση του οδηγού σιδηροτροχιάς και του προσαρμοστή οδηγού σιδηροτροχιάς θα εξασφαλίσει την παραγωγή γρήγορων και καθαρών κοπών. (Εικ. 23)

Για να εγκαταστήσετε τον προσαρμοστή οδηγού σιδηροτροχιάς, βάλτε τον χάρακα μέσα στην τετράγωνη τρύπα της βάσης όσο βαθειά μπορεί να πάει. Ασφαλίστε το μπουλόνι με το εξάγωνο κλειδί καλά. (Εικ. 24)

Εγκαταστήστε τον προσαρμοστή οδηγού σιδηροτροχιάς στην σιδηροτροχιά του οδηγού σιδηροτροχιάς. Βάλτε τον χάρακα μέσα στην τετράγωνη τρύπα του προσαρμοστή οδηγού σιδηροτροχιάς. Βάλτε την βάση στην πλευρά του οδηγού σιδηροτροχιάς και ασφαλίστε το μπουλόνι καλά. (Εικ. 25)

ΠΡΟΣΟΧΗ:

- Πάντοτε χρησιμοποιείτε τις λάμες Αρ. B-8, B-13, B-16, B-17 ή 58 όταν χρησιμοποιείτε τον οδηγό σιδηροτροχιάς και τον προσαρμοστή οδηγού σιδηροτροχιάς.

Πλάκα καλύμματος (Εικ. 26)

Χρησιμοποιήστε την πλάκα καλύμματος όταν κόβετε διακοσμητικούς καπλαμάδες, πλαστικά, κλπ. Προστατεύει τις ευαίσθητες ή λεπτές επιφάνειες από ζημιά. Προσαρμόστε την στο πίσω μέρος της βάσης του εργαλείου.

Συσκευή αποφυγής σκληθρών (Εικ. 27)

Για κοπές χωρίς σκληθρες μπορεί να χρησιμοποιηθεί η συσκευή αποφυγής σκληθρών. Για να εγκαταστήσετε την συσκευή αποφυγής σκληθρών μετακινήστε την βάση του εργαλείου όσο πάει εμπρός και προσαρμόστε την από το πίσω μέρος της βάσης του εργαλείου. Όταν χρησιμοποιείτε την πλάκα καλύμματος, τοποθετείτε την συσκευή αποφυγής σκληθρών επάνω στη πλάκα καλύμματος.

ΠΡΟΣΟΧΗ:

- Η συσκευή αποφυγής σκληθρών δεν μπορεί να χρησιμοποιηθεί όταν κάνετε λοξοτομές.

ΣΥΝΤΗΡΗΣΗ

ΠΡΟΣΟΧΗ:

- Πάντοτε βεβαιώνετε ότι το εργαλείο είναι σβηστό και αποσυνδεδεμένο πριν επιχειρήσετε να εκτελέσετε επιθεώρηση ή συντήρηση.

Για να διατηρήσετε την ΑΣΦΑΛΕΙΑ και ΑΞΙΟΠΙΣΤΙΑ του προϊόντος, επισκευές, έλεγχοι και αντικατάσταση των ψηκτρών άνθρακα, καθώς και οποιαδήποτε άλλη συντήρηση ή ρύθμιση πρέπει να εκτελούνται από Κέντρα Εξυπηρέτησης Εργοστασίου ή από Εξουσιοδοτημένα από την Μάκιτα Κέντρα, πάντοτε χρησιμοποιώντας ανταλλακτικά της Μάκιτα.

ΕΞΑΡΤΗΜΑΤΑ

ΠΡΟΣΟΧΗ:

- Αυτά τα εξαρτήματα ή προσαρτήματα συνιστώνται για χρήση με το εργαλείο Μάκιτα που περιγράφηκε στις οδηγίες αυτές. Η χρήση οτιδήποτε άλλων εξαρτημάτων ή προσαρτημάτων μπορεί να προκαλέσει κίνδυνο τραυματισμού σε άτομα. Χρησιμοποιείτε τα εξαρτήματα ή προσαρτήματα μόνο για την χρήση που προορίζονται.

Εάν χρειάζεστε οποιαδήποτε βοήθεια για περισσότερες πληροφορίες σε σχέση με αυτά τα εξαρτήματα, αποτανθείτε στο τοπικό σας κέντρο εξυπηρέτησης Μάκιτα.

- Λάμα παλινδρομικού πριονιού
- Εξαγωνικό κλειδί 4
- Προστατευτικό σύνολο σχισίματος (Οδηγός κανόνας)
- Σύνολο προσαρμοστή οδηγού σιδηροτροχιάς
- Σύνολο οδηγού σιδηροτροχιάς
- Συσκευή αποφυγής σκληθρών
- Ακροφύσιο σκόνης
- Πλάκα καλύμματος
- Σωλήνα (Για σκούπα απορρόφησης)

ENGLISH**EC Declaration of Conformity**

We Makita Corporation as the responsible manufacturer declare that the following Makita machine(s):

Designation of Machine: Jig Saw
Model No./ Type: 4350T, 4350CT, 4350FCT
are of series production and

Conforms to the following European Directives:

98/37/EC until 28th December 2009 and then with 2006/42/EC from 29th December 2009

And are manufactured in accordance with the following standards or standardised documents:

EN60745

The technical documentation is kept by our authorized representative in Europe who is:

Makita International Europe Ltd,
Michigan, Drive, Tongwell,
Milton Keynes, MK15 8JD, England

DEUTSCH**EG-Übereinstimmungserklärung**

Wir, die Firma Makita als verantwortlicher Hersteller, erklären, dass die folgende(n) Makita-Maschine(n):

Bezeichnung der Maschine: Stichsäge
Modell-Nr./ Typ: 4350T, 4350CT, 4350FCT
der Serienproduktion entstammen und

den folgenden europäischen Richtlinien entsprechen:

98/37/EG bis 28. Dezember 2009 und dann 2006/42/EG ab 29. Dezember 2009

und gemäß den folgenden Standards oder standardisierten Dokumenten hergestellt werden:

EN60745

Die technische Dokumentation befindet sich im Bestand unserer autorisierten Vertretung in Europa, nämlich:

Makita International Europe Ltd,
Michigan, Drive, Tongwell,
Milton Keynes, MK15 8JD, England

FRANÇAISE**Déclaration de conformité CE**

Makita Corporation, en tant que fabricant responsable, déclare que la ou les machines suivantes :

Désignation de la machine : Scie sauteuse
N° de modèle / Type : 4350T, 4350CT, 4350FCT
sont produites en série et

sont conformes aux Directives européennes suivantes :

98/37/CE jusqu'au 28 décembre 2009, puis 2006/42/CE à compter du 29 décembre 2009

et qu'elles sont fabriquées conformément aux normes ou documents normalisés suivants :

EN60745

La documentation technique est conservée par notre représentant agréé en Europe, à savoir :

Makita International Europe Ltd,
Michigan, Drive, Tongwell,
Milton Keynes, MK15 8JD, Angleterre

ITALIANO**Dichiarazione CE di conformità**

Noi della Makita Corporation, come produttori responsabili, dichiariamo che le macchine Makita seguenti:

Designazione della macchina: Seghetto alternativo
Modello No./Tipo: 4350T, 4350CT, 4350FCT
sono una produzione di serie e

conformi alle direttive europee seguenti:

98/37/CE fino al dicembre 2009 e poi 2006/42/CE dal 29 dicembre 2009

E sono fabbricate conformemente ai seguenti standard o documenti standardizzati:

EN60745

La documentazione tecnica è tenuta dal nostro rappresentante autorizzato in Europa, che è:

Makita International Europe Ltd,
Michigan, Drive, Tongwell,
Milton Keynes, MK15 8JD, England

30th January 2009
30 janvier 2009

30. Januar 2009
30 gennaio 2009



Tomoyasu Kato
Director Direktor
Directeur Amministratore

Makita Corporation
3-11-8, Sumiyoshi-cho,
Anjo, Aichi, JAPAN

NEDERLANDS**EU-Verklaring van Conformiteit**

Wij, **Makita Corporation**, als de verantwoordelijke fabrikant, verklaren dat de volgende **Makita-machine(s)**:

Aanduiding van de machine: Decoupeerzaag

Modelnr./Type: 4350T, 4350CT, 4350FCT

in serie zijn geproduceerd en

Voldoen aan de volgende Europese richtlijnen:

98/37/EC tot en met 28 december 2009 en daarna aan 2006/42/EC vanaf 29 december 2009

En zijn gefabriceerd in overeenstemming met de volgende normen of genormaliseerde documenten:

EN60745

De technische documentatie wordt bewaard door onze erkende vertegenwoordiger in Europa, te weten:

Makita International Europe Ltd.,

Michigan, Drive, Tongwell,

Milton Keynes, MK15 8JD, Engeland

PORTUGUÊS**Declaração de conformidade CE**

Nós, a **Makita Corporation**, fabricante responsável, declaramos que a(s) seguinte(s) ferramenta(s) **Makita**:

Designação da ferramenta: Serra tico-tico

Modelos n.º/Tipo: 4350T, 4350CT, 4350FCT

são de produção de série e

Em conformidade com as seguintes directivas europeias:

98/37/EC até 28 de dezembro de 2009 e 2006/42/EC a partir de 29 de dezembro 2009

E estão fabricados de acordo com as seguintes normas ou documentos normativos:

EN60745

A documentação técnica é mantida pelo nosso representante autorizado na Europa:

Makita International Europe Ltd,

Michigan Drive, Tongwell,

Milton Keynes, MK15 8JD, Inglaterra

ESPAÑOL**Declaración de conformidad CE**

Makita Corporation como fabricante responsable declara que la(s) siguiente(s) máquina(s) de **Makita**:

Designación de máquina: Sierra caladora

Modelo N.º/Tipo: 4350T, 4350CT, 4350FCT

son producidas en serie y

Cumplen con las directivas europeas siguientes:

98/37/EC hasta el 28 de diciembre de 2009 y después con 2006/42/EC desde el 29 de diciembre de 2009

Y que están fabricadas de acuerdo con las normas o documentos normalizados siguientes.

EN60745

Los documentos técnicos los guarda nuestro representante autorizado en Europa cuya persona es:

Makita International Europe Ltd,

Michigan, Drive, Tongwell,

Milton Keynes, MK15 8JD, Inglaterra

DANSK**EU-konformitetserklæring**

Vi, Makita Corporation, erklærer, som den ansvarlige fabrikant, at den (de) følgende Makita maskine(r):

Maskinens betegnelse: Dekupørsav

Model nr./Type: 4350T, 4350CT, 4350FCT

er af serieproduktion og

opfylder betingelserne i de følgende EU-direktiver:

98/37/EC indtil 28. december 2009 og derefter med 2006/42/EC fra 29. december 2009

og er fremstillet i overensstemmelse med de følgende standarder eller standardiserede dokumenter:

EN60745

Den tekniske dokumentation opbevares af vores autoriserede repræsentant i Europa, som er:

Makita International Europe Ltd,

Michigan, Drive, Tongwell,

Milton Keynes, MK15 8JD, England

30 januari 2009
30 de enero de 2009

30 de janeiro de 2009
30. januar 2009



Tomoyasu Kato
Directeur Director
Directør Direktør

Makita Corporation
3-11-8, Sumiyoshi-cho,
Anjo, Aichi, JAPAN

ΕΛΛΗΝΙΚΑ**Δήλωση Συμμόρφωσης ΕΚ**

Η Makita Corporation, ως ο υπεύθυνος κατασκευαστής, δηλώνει ότι τα/τα ακόλουθο(α) μηχάνημα(τα) της Makita:

Χαρακτηρισμός μηχανήματος: Παλινδρομικό πριόνι
Αρ. μοντέλου/ Τύπος: 4350T, 4350CT, 4350FCT
είναι εν σειρά παραγωγή και

συμμορφώνονται με τις ακόλουθες Ευρωπαϊκές Οδηγίες:

98/37/ΕΚ έως 28 Δεκεμβρίου 2009 και ακολούθως με την 2006/42/ΕΚ από 29 Δεκεμβρίου 2009 και κατασκευάζονται σύμφωνα με τα ακόλουθα πρότυπα ή έγγραφα τυποποίησης:

EN60745

Η τεχνική τεκμηρίωση φυλάσσεται από τον εξουσιοδοτημένο εκπρόσωπό μας στην Ευρώπη, δηλαδή τη

Makita International Europe Ltd,
Michigan, Drive, Tongwell,
Milton Keynes, MK15 8JD, England (Αγγλία)

30 Ιανουαρίου 2009



Tomoyasu Kato
Διευθυντής

Makita Corporation
3-11-8, Sumiyoshi-cho,
Anjo, Aichi, JAPAN

ENGLISH**For Model 4350T****For European countries only****Noise** ENG102-2
The typical A-weighted noise level determined according to EN60745:Sound pressure level (L_{pA}): 83 dB (A)
Sound power level (L_{WA}): 94 dB (A)
Uncertainty (K): 3 dB (A)**Wear ear protection.****Vibration** ENG220-1
The vibration total value (tri-axial vector sum) determined according to EN60745-2-11:Work mode: wood cutting
Vibration emission ($a_{h, CW}$): 7,5 m/s²
Uncertainty (K): 1,5 m/s²Work mode: metal cutting ENG304-1
Vibration emission ($a_{h, CM}$): 5 m/s²
Uncertainty (K): 1,5 m/s²**FRANÇAISE****Pour le modèle 4350T****Pour les pays d'Europe uniquement****Bruit** ENG102-1
Niveau de bruit pondéré A typique, déterminé selon EN60745 :Niveau de pression sonore (L_{pA}) : 83 dB (A)
Niveau de puissance du son (L_{WA}) : 94 dB (A)
Incertitude (K) : 3 dB (A)**Porter des protecteurs anti-bruit.****Vibrations** ENG220-1
Valeur totale de vibrations (somme de vecteur triaxial) déterminée selon EN60745-2-11 :Mode de travail : coupe de bois
Émission de vibrations ($a_{h, CW}$) : 7,5 m/s²
Incertitude (K) : 1,5 m/s²Mode de travail : coupe de métal ENG304-1
Émission de vibrations ($a_{h, CM}$) : 5 m/s²
Incertitude (K) : 1,5 m/s²**DEUTSCH****Für Modell 4350T****Nur für europäische Länder****Geräusch** ENG102-1
A-bewerteter Geräuschpegel ermittelt gemäß EN60745:Schalldruckpegel (L_{pA}): 83 dB (A)
Schalleistungspegel (L_{WA}): 94 dB (A)
Ungewissheit (K): 3 dB (A)**Gehörschutz tragen.****Vibration** ENG220-1
Vibrationsgesamt看wert (Drei-Achsen-Vektorsumme) ermittelt gemäß EN60745-2-11:Arbeitsmodus: Schneiden von Holz
Vibrationsemission ($a_{h, CW}$): 7,5 m/s²
Ungewissheit (K): 1,5 m/s²Arbeitsmodus: Schneiden von Metall ENG304-1
Vibrationsemission ($a_{h, CM}$): 5 m/s²
Ungewissheit (K): 1,5 m/s²**ITALIANO****Per Modello 4350T****Modello per l'Europa soltanto****Rumore** ENG102-1
Il tipico livello di rumore pesato A determinato secondo EN60745:Livello pressione sonora (L_{pA}): 83 dB (A)
Livello potenza sonora (L_{WA}): 94 dB (A)
Incertezza (K): 3 dB (A)**Indossare i paraorecchi.****Vibrazione** ENG220-1
Il valore totale di vibrazione (somma vettore triassiale) determinato secondo EN60745-2-11:Modelità operativa: taglio del legno
Emissione di vibrazione ($a_{h, CW}$): 7,5 m/s²
Incertezza (K): 1,5 m/s²Modelità operativa: taglio dei metalli ENG304-1
Emissione di vibrazione ($a_{h, CM}$): 5 m/s²
Incertezza (K): 1,5 m/s²**NEDERLANDS****Voor de model 4350T****Alleen voor Europese landen****Geluidsniveau** ENG102-1
De typisch, A-gewogen geluidsniveaus vastgesteld volgens EN60745:Geluidsdruk-niveau (L_{pA}): 83 dB (A)
Geluidsenergie-niveau (L_{WA}): 94 dB (A)
Onnauwkeurigheid (K): 3 dB (A)**Draag oorbeschermers.****Trilling** ENG220-1
De totaalwaarde van de trillingen (triaxiale vectorsom) vastgesteld volgens EN60745-2-11:Toepassing: zagen van hout
Trillingsemissie ($a_{h, CW}$): 7,5 m/s²
Onnauwkeurigheid (K): 1,5 m/s²Mode de travail : zagen van metaal ENG304-1
Trillingsemissie ($a_{h, CM}$): 5 m/s²
Onnauwkeurigheid (K): 1,5 m/s²**ESPAÑOL****Para le modelo 4350T****Para países europeos solamente****Ruido** ENG102-1
El nivel de ruido A-ponderado típico determinado de acuerdo con la norma EN60745:Nivel de presión sonora (L_{pA}): 83 dB (A)
Nivel de potencia sonora (L_{WA}): 94 dB (A)
Error (K): 3 dB (A)**Póngase protectores en los oídos.****Vibración** ENG220-1
El valor total de la vibración (suma de vectores triaxiales) determinado de acuerdo con la norma EN60745-2-11:Modo tarea: corte de madera
Emisión de vibración ($a_{h, CW}$): 7,5 m/s²
Error (K): 1,5 m/s²Modo tarea: corte de metales ENG304-1
Emisión de vibración ($a_{h, CM}$): 5 m/s²
Error (K): 1,5 m/s²

PORTUGUÊS

Para Modelo 4350T

Só para países Europeus

Ruído

ENG102-1

A característica do nível de ruído A determinado de acordo com EN60745:

Nível de pressão de som (L_{pA}): 83 dB (A)

Nível do som (L_{WA}): 94 dB (A)

Variabilidade (K): 3 dB (A)

Utilize protectores para os ouvidos.

Vibração

ENG220-1

Valor total da vibração (soma vectorial tri-axial) determinada conforme EN60745-2-11:

Modo de funcionamento: corte de madeira

Emissão de vibração ($a_{h,CW}$): 7,5 m/s²

Variabilidade (K): 1,5 m/s²

Mode de travail : corte de metal

ENG304-1

Emissão de vibração ($a_{h,CM}$): 5 m/s²

Variabilidade (K): 1,5 m/s²

DANSK

For model 4350T

Kun for lande i Europa

Lyd

ENG102-1

Det typiske A-vægtede støjniveau bestemt i overensstemmelse med EN60745:

Lydtryksniveau (L_{pA}): 83 dB (A)

Lydeffektniveau: (L_{WA}): 94 dB (A)

Usikkerhed (K): 3 dB (A)

Bær høreværn.

Vibration

ENG220-1

Vibrations totalværdi (tre-aksial vektorsum) bestemt i overensstemmelse med EN60745-2-11:

Arbejdsindstilling: savning i træ

Vibrationsafgivelse ($a_{h,CW}$): 7,5 m/s²

Usikkerhed (K): 1,5 m/s²

Modo tarea: savning af metal

ENG304-1

Vibrationsafgivelse ($a_{h,CM}$): 5 m/s²

Usikkerhed (K): 1,5 m/s²

ΕΛΛΗΝΙΚΑ

Για Μοντέλα 4350T

Μόνο για χώρες της Ευρώπης

Θόρυβος

ENG102-1

Το τυπικό Α επίπεδο μετρημένου θορύβου καθορίζεται σύμφωνα με το EN60745:

Επίπεδο πίεσης θορύβου (L_{pA}): 83 dB(A)

Δύναμη του ήχου (L_{WA}): 94 dB (A)

Αβεβαιότητα (K): 3 dB (A)

Φοράτε ωτοασπίδες.

Κραδασμός

ENG220-1

Η ολική τιμή δόνησης (άθροισμα τρι-αξονικού διανύσματος) καθορίζεται σύμφωνα με το EN60745-2-11:

Λειτουργία: κοπή ξύλου

Εκπομπή δόνησης ($a_{h,CW}$): 7,5 m/s²

Αβεβαιότητα (K): 1,5 m/s²

Λειτουργία: κοπή μετάλλων

ENG304-1

Εκπομπή δόνησης ($a_{h,CM}$): 5 m/s²

Αβεβαιότητα (K): 1,5 m/s²

ENGLISH

For Model 4350CT, 4350FCT

For European countries only

Noise ENG102-2
The typical A-weighted noise level determined according to EN60745:

Sound pressure level (L_{pA}): 84 dB (A)
Sound power level (L_{WA}): 95 dB (A)
Uncertainty (K): 3 dB (A)

Wear ear protection.

Vibration ENG220-1
The vibration total value (tri-axial vector sum) determined according to EN60745-2-11:

Work mode: wood cutting
Vibration emission ($a_{h, CW}$): 8 m/s²
Uncertainty (K): 1.5 m/s²

Work mode: metal cutting ENG304-1
Vibration emission ($a_{h, CM}$): 4.5 m/s²
Uncertainty (K): 1.5 m/s²

FRANÇAISE

Pour le modèle 4350CT, 4350FCT

Pour les pays d'Europe uniquement

Bruit ENG102-1
Niveau de bruit pondéré A typique, déterminé selon EN60745 :

Niveau de pression sonore (L_{pA}) : 84 dB (A)
Niveau de puissance du son (L_{WA}) : 95 dB (A)
Incertitude (K) : 3 dB (A)

Porter des protecteurs anti-bruit.

Vibrations ENG220-1
Valeur totale de vibrations (somme de vecteur triaxial) déterminée selon EN60745-2-11 :

Mode de travail : coupe de bois
Émission de vibrations ($a_{h, CW}$) : 8 m/s²
Incertitude (K) : 1,5 m/s²

Mode de travail : coupe de métal ENG304-1
Émission de vibrations ($a_{h, CM}$) : 4,5 m/s²
Incertitude (K) : 1,5 m/s²

DEUTSCH

Für Modell 4350CT, 4350FCT

Nur für europäische Länder

Geräusch ENG102-1
A-bewerteter Geräuschpegel ermittelt gemäß EN60745:

Schalldruckpegel (L_{pA}): 84 dB (A)
Schalleistungspegel (L_{WA}): 95 dB (A)
Ungewissheit (K): 3 dB (A)

Gehörschutz tragen.

Vibration ENG220-1
Vibrationsgesamt看wert (Drei-Achsen-Vektorsumme) ermittelt gemäß EN60745-2-11:

Arbeitsmodus: Schneiden von Holz
Vibrationsemission ($a_{h, CW}$): 8 m/s²
Ungewissheit (K): 1,5 m/s²

Arbeitsmodus: Schneiden von Metall ENG304-1
Vibrationsemission ($a_{h, CM}$): 4,5 m/s²
Ungewissheit (K): 1,5 m/s²

ITALIANO

Per Modello 4350CT, 4350FCT

Modello per l'Europa soltanto

Rumore ENG102-1
Il tipico livello di rumore pesato A determinato secondo EN60745:

Livello pressione sonora (L_{pA}): 84 dB (A)
Livello potenza sonora (L_{WA}): 95 dB (A)
Incertezza (K): 3 dB (A)

Indossare i paraorecchi.

Vibrazione ENG220-1
Il valore totale di vibrazione (somma vettore triassiale) determinato secondo EN60745-2-11:

Modalità operativa: taglio del legno
Emissione di vibrazione ($a_{h, CW}$): 8 m/s²
Incertezza (K): 1,5 m/s²

Modalità operativa: taglio dei metalli ENG304-1
Emissione di vibrazione ($a_{h, CM}$): 4,5 m/s²
Incertezza (K): 1,5 m/s²

NEDERLANDS

Voor de model 4350CT, 4350FCT

Aleen voor Europese landen

Geluidsniveau ENG102-1
De typisch, A-gewogen geluidsniveaus vastgesteld volgens EN60745:

Geluidsdruk-niveau (L_{pA}): 84 dB (A)
Geluidsenergie-niveau (L_{WA}): 95 dB (A)
Onnauwkeurigheid (K): 3 dB (A)

Draag oorbeschermers.

Trilling ENG220-1
De totaalwaarde van de trillingen (triaxiale vectorsom) vastgesteld volgens EN60745-2-11:

Toepassing: zagen van hout
Trillingsemissie ($a_{h, CW}$): 8 m/s²
Onnauwkeurigheid (K): 1,5 m/s²

Mode de travail : zagen van metaal ENG304-1
Trillingsemissie ($a_{h, CM}$): 4,5 m/s²
Onnauwkeurigheid (K): 1,5 m/s²

ESPAÑOL

Para le modelo 4350CT, 4350FCT

Para países europeos solamente

Ruido ENG102-1
El nivel de ruido A-ponderado típico determinado de acuerdo con la norma EN60745:

Nivel de presión sonora (L_{pA}): 84 dB (A)
Nivel de potencia sonora (L_{WA}): 95 dB (A)
Error (K): 3 dB (A)

Póngase protectores en los oídos.

Vibración ENG220-1
El valor total de la vibración (suma de vectores triaxiales) determinado de acuerdo con la norma EN60745-2-11:

Modo tarea: corte de madera
Emisión de vibración ($a_{h, CW}$): 8 m/s²
Error (K): 1,5 m/s²

Modo tarea: corte de metales ENG304-1
Emisión de vibración ($a_{h, CM}$): 4,5 m/s²
Error (K): 1,5 m/s²

PORTUGUÊS

Para Modelo 4350CT, 4350FCT

Só para países Europeus

Ruído

ENG102-1

A característica do nível de ruído A determinado de acordo com EN60745:

Nível de pressão de som (L_{pA}): 84 dB (A)

Nível do som (L_{WA}): 95 dB (A)

Variabilidade (K): 3 dB (A)

Utilize protectores para os ouvidos.

Vibração

ENG220-1

Valor total da vibração (soma vectorial tri-axial) determinada conforme EN60745-2-11:

Modo de funcionamento: corte de madeira

Emissão de vibração ($a_{h, CW}$): 8 m/s²

Variabilidade (K): 1,5 m/s²

ENG304-1

Mode de travail : corte de metal

Emissão de vibração ($a_{h, CM}$): 4,5 m/s²

Variabilidade (K): 1,5 m/s²

DANSK

For model 4350CT, 4350FCT

Kun for lande i Europa

Lyd

ENG102-1

Det typiske A-vægtede støjniveau bestemt i overensstemmelse med EN60745:

Lydtryksniveau (L_{pA}): 84 dB (A)

Lydeffektniveau: (L_{WA}): 95 dB (A)

Usikkerhed (K): 3 dB (A)

Bær høreværn.

Vibration

ENG220-1

Vibrations totalværdi (tre-aksial vektorsum) bestemt i overensstemmelse med EN60745-2-11:

Arbejdsindstilling: savning i træ

Vibrationsafgivelse ($a_{h, CW}$): 8 m/s²

Usikkerhed (K): 1,5 m/s²

ENG304-1

Modo tarea: savning af metal

Vibrationsafgivelse ($a_{h, CM}$): 4,5 m/s²

Usikkerhed (K): 1,5 m/s²

ΕΛΛΗΝΙΚΑ

Για Μοντέλα 4350CT, 4350FCT

Μόνο για χώρες της Ευρώπης

Θόρυβος

ENG102-1

Το τυπικό Α επίπεδο μετρημένου θορύβου καθορίζεται σύμφωνα με το EN60745:

Επίπεδο πίεσης θορύβου (L_{pA}): 84 dB(A)

Δύναμη του ήχου (L_{WA}): 95 dB (A)

Αβεβαιότητα (K): 3 dB (A)

Φοράτε ωτοασπίδες.

Κραδασμός

ENG220-1

Η ολική τιμή δόνησης (άθροισμα τρι-αξονικού διανύσματος) καθορίζεται σύμφωνα με το EN60745-2-11:

Λειτουργία: κοπή ξύλου

Εκπομπή δόνησης ($a_{h, CW}$): 8 m/s²

Αβεβαιότητα (K): 1,5 m/s²

ENG304-1

Λειτουργία: κοπή μετάλλων

Εκπομπή δόνησης ($a_{h, CM}$): 4,5 m/s²

Αβεβαιότητα (K): 1,5 m/s²

Makita Corporation

Anjo, Aichi, Japan

884715A992