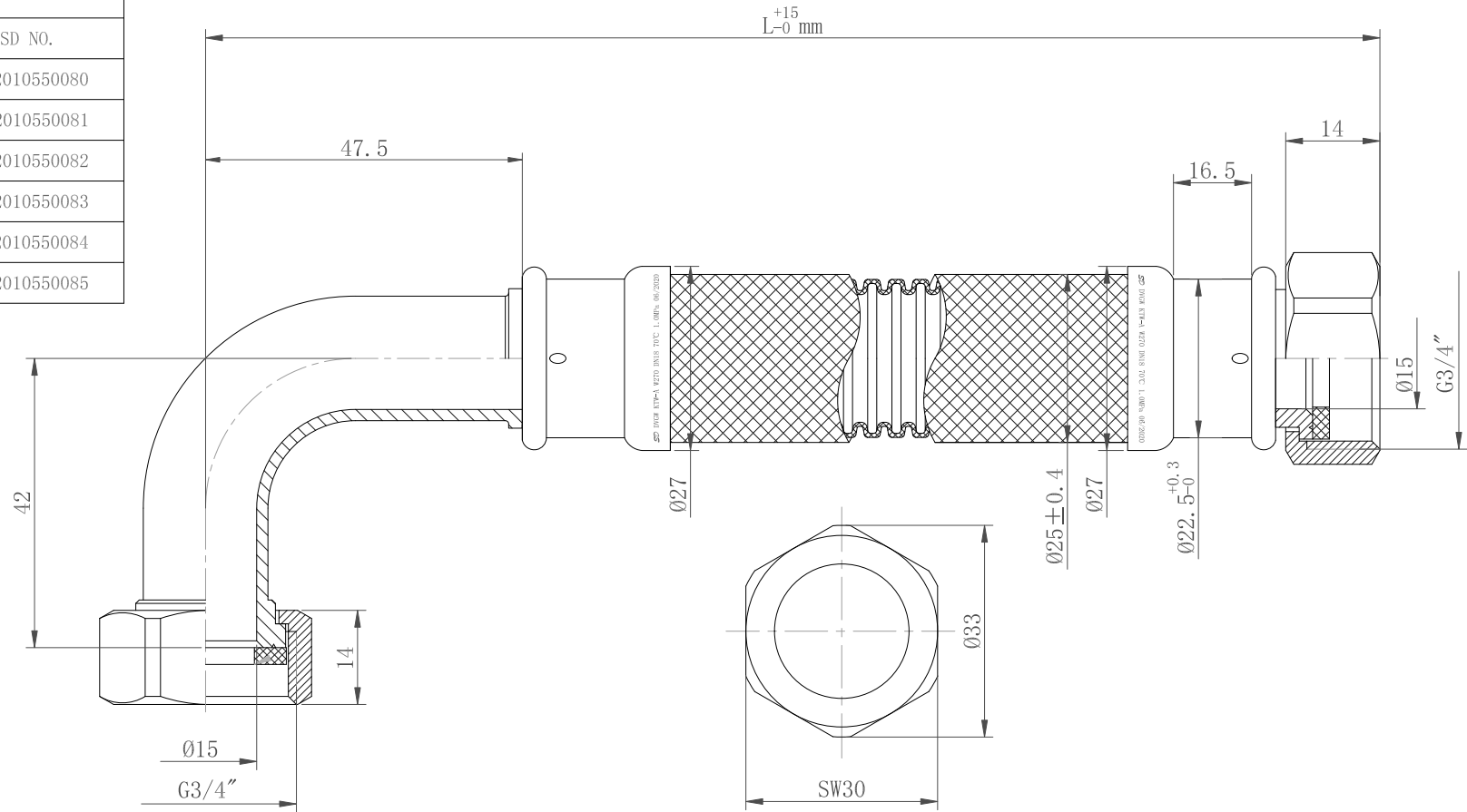


IPG		
IPG NO.	LENGTH	SD NO.
8901925	300	0602010550080
8901926	500	0602010550081
8901927	800	0602010550082
8901928	1000	0602010550083
8901929	1500	0602010550084
8901930	2000	0602010550085



Technical requirements:

- 1: There is no burr, crack or broken wire on the surface of the steel wire
2. The tolerance conform to GB1804-79 level IT13 if unspecified
3. Working pressure: Max 0.6MPa
4. Working temperature: -20°C-70°C

DN18 F3/4XCF3/4 (BRAIDED HOSE)				DATE		10TH JUNE 2020	
				DRAWN		CHECKED	
		APPROVED					